

BELL SYSTEM PRACTICES
Teletypewriter and Data Stations

SECTION P34.540
Issue 1, February, 1961
AT&TCo Standard

28 SELF-CONTAINED TRANSMITTER- DISTRIBUTOR SETS

(SINGLE-CONTACT AND MULTICONTACT) LUBRICATION

1. GENERAL

1.01 This section contains the lubrication procedures for the maintenance of the fixed-head, single-contact or multicontact, self-contained transmitter-distributor sets.

1.02 Lubrication of the set before it is placed in service should be governed by the principles given in Section P33.014. After that, because of varying conditions at each station, the unit should be lubricated as often as specified by local instructions.

1.03 The following recommended lubrication intervals are included as a guide for use under normal operating conditions.

<u>Operating Speed in Words per Minute</u>	<u>Lubrication Interval</u>
60	3000 Hours or 1 Year*
75	2400 Hours or 9 Months*
100	1500 Hours or 6 Months*

*Whichever occurs first.

1.04 The lubricants to be used and their methods of application are those specified in Section P30.011. The lubrication symbols used herein are the same as those given in that Section; except that the symbol 0, which according to Section P30.011 indicates one or two drops of oil, is used in this section to mean only one drop of oil, and the symbol 02 is used herein to specify that two drops are to be applied at the points indicated.

1.05 The photographs in Part 2 of this section show the paragraph numbers referring to the line drawings of the mechanism to be lubricated and the location of the mechanisms on the unit. Parts in the line drawings are shown in an upright position. If it is difficult to lubricate a part in the upright position, the apparatus should be turned to a position in which the part is more accessible.

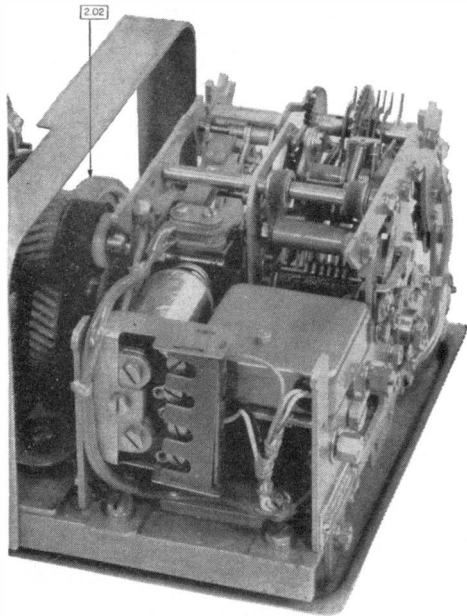
**28 SELF-CONTAINED
TRANSMITTER-DIS-
TRIBUTOR**

P34.540

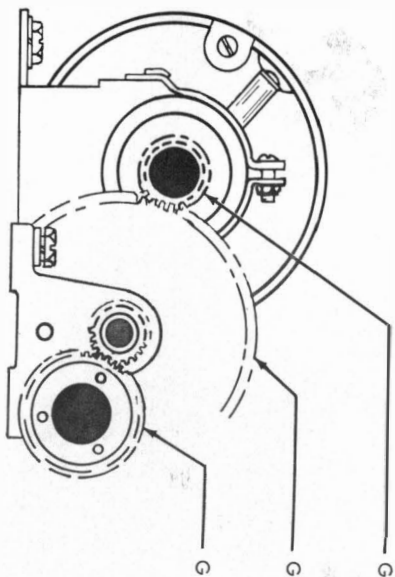
**SETS
LUBRI-
CATION**

2. PARTS TO BE LUBRICATED

2.01 Gear Train (Single-contact Self-contained Transmitter-Distributor Set)



2.02 Gear Train



TEETH

MOTOR
PINION

TEETH

INTERMEDIATE
GEAR

TEETH

TRANSMITTER
DISTRIBUTOR
DRIVING GEAR

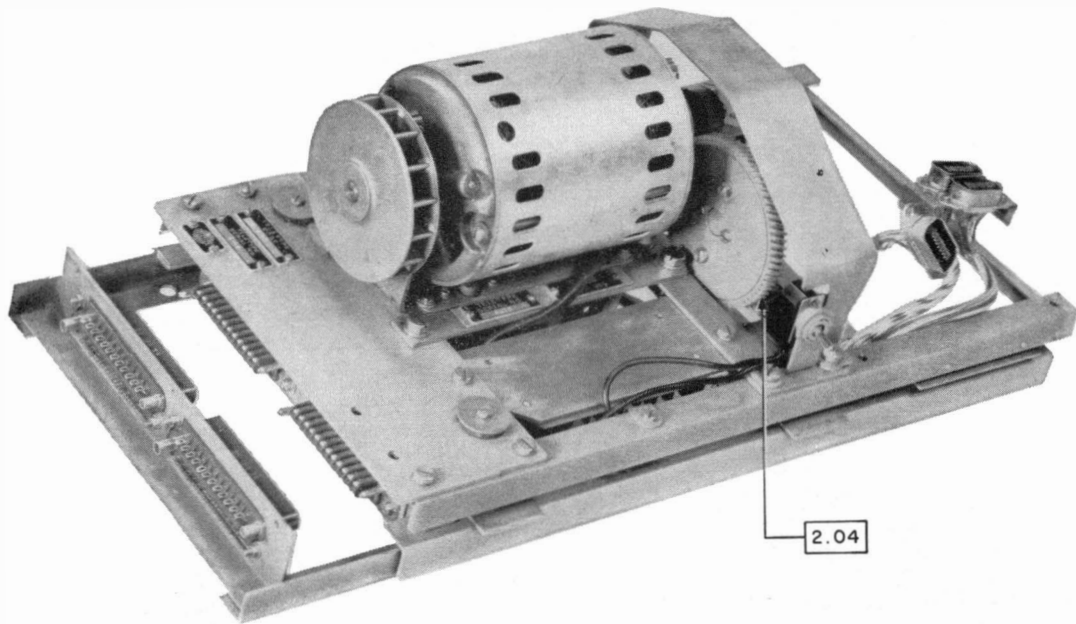
28 SELF-CONTAINED
TRANSMITTER-DIS-
TRIBUTOR

P34.540

Page 3

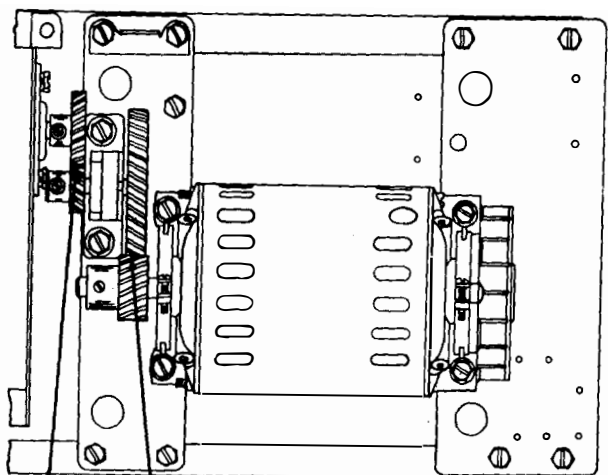
SETS
LUBRI-
CATION

2.03 Intermediate Gear Assembly (Multicontact Self-contained Transmitter-Distributor Set)



2.04

2.04 Intermediate Gear Assembly



INTERMEDIATE
GEAR

DISTRIBUTOR
SHAFT DRIVING
GEAR

28 SELF-CONTAINED
TRANSMITTER-DIS-
TRIBUTOR

P34.540

SETS
LUBRI-
CATION

3. REFERENCE TO BELL SYSTEM PRACTICES

3.01 The following Bell System Practices provide additional information that may be required in connection with this section.

<u>Subject</u>	<u>Section</u>
Teletypewriter Apparatus, General Requirements and Procedures	P30.012
Teletypewriter Apparatus, Lubrication, General Requirements	P30.011
Teletypewriter Apparatus, Disassembly, General Requirements	P30.013
Teletypewriter Apparatus, Preparation of Apparatus for Installation	P33.014
Teletypewriter Tools and Maintenance Supplies	P30.301
28 Teletypewriter Apparatus, Index of Bell System Practices	P34.001