

BELL SYSTEM PRACTICES
Teletypewriter and Data Stations

SECTION P34.526
Issue 1, December, 1961
AT&TCo Standard

28 TYPING REPERFORATOR COVER

LUBRICATION

	CONTENTS	PAR. NO.
1. GENERAL	1.01
2. LUBRICATION DETAILS	2.01
3. ASSOCIATED BELL SYSTEM PRACTICE....		3.01

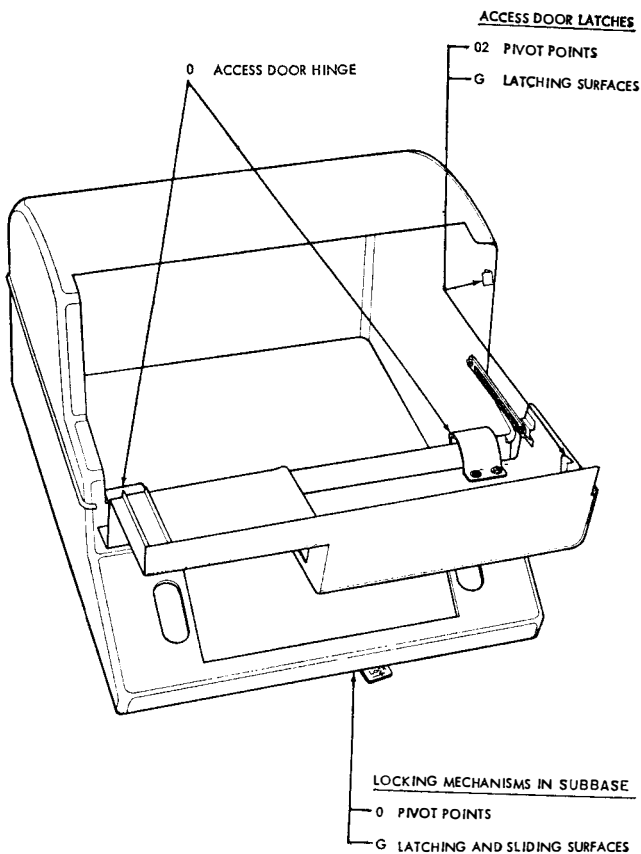
1. GENERAL

1.01 This section contains the specific lubrication procedures for the 28 typing reperforator cover. The material herein, together with the section entitled Teletypewriter Apparatus, Lubrication, General Information and Routines, provides the complete lubrication information for maintenance. The lubrication symbols used herein are the same as those in the general section. However, the symbol O is used in this section to mean only one drop of oil. Symbol O2 is used herein to specify that two drops of oil are to be applied at points indicated.

Note: On units equipped with an external manual-interfering LTRS tape feed out, observe caution when removing the typing reperforator cover so as not to damage the feed-out lever.

2. LUBRICATION DETAILS

2.01 Typing Reperforator Cover



3. ASSOCIATED BELL SYSTEM PRACTICE

3.01 The following Bell System Practice provides additional information that may be required in connection with this section.

<u>Subject</u>	<u>Section</u>
Alphabetical Index of 28-type Equipment, Bell System Practices, and Associated 28 ASR Station Drawings	P34.001

