

BELL SYSTEM PRACTICES
Teletypewriter and Data Stations

SECTION P34.509
Issue 2, May, 1962
AT&T Co Standard

28 TAPE TYPING UNIT AND 28 TAPE TELETYPEWRITER BASE AND COVER LUBRICATION

CONTENTS	PAR. NO.
1. GENERAL	1.01-1.08
2. LUBRICATION DETAILS	2.01-2.09
A. 28 Tape Teletypewriter Base	2.01-2.05
B. 28 Tape Typing Unit	2.06-2.08
C. 28 Tape Teletypewriter Cover	2.09
3. ASSOCIATED BELL SYSTEM PRACTICES ..	3.01

1. GENERAL

1.01 This section contains the specific lubrication procedures for the 28 tape typing unit and the 28 tape teletypewriter base and cover. The information herein, together with that in the general lubrication section and the other lubrication sections referred to in this practice, provides for the complete lubrication of the apparatus.

1.02 This section is reissued to remove certain lubrication information already contained in associated Bell System Practices and to bring the section generally up to date. Since this revision includes a general rearrangement of the material, marginal arrows ordinarily used to indicate changes have been omitted.

1.03 The apparatus should be lubricated before being placed in service, as specified in the section covering the preparation of teletypewriter apparatus for installation. After a few weeks in service, it should be relubricated to make certain that all specified parts and areas have lubricant. Thereafter, because

of varying conditions at each station, the apparatus should be lubricated as often as specified by local instructions.

1.04 The lubricants to be used and their methods of application are the same as those in the general lubrication section.

1.05 Certain areas that receive lubricant are illustrated in Part 2 of this section. Instructions that accompany the drawings consist of an abbreviated direction (lubrication symbol), the specific area (e.g., pivot), and the part (e.g., key). The following are the lubrication symbols and their meaning as used in this section:

Symbol	Meaning
O	Apply 1 drop of oil
O2	Apply 2 drops of oil
S	Saturate with oil
G	Apply a thin film of grease (see note)

Note: In addition to the preceding directions and the general lubrication instructions, a thick coat of grease should be applied to all gears.

1.06 **28 Tape Teletypewriter Base:** Since this base is essentially the 28 typing reperforator base of the keyboard send-receive design with modifications to accommodate the 28 tape typing unit, most of the lubrication procedures are the same for both bases. These common procedures are listed in Part 2 of this section, which also contains the lubrication directions peculiar to the 28 tape teletypewriter base.

1.07 **28 Tape Typing Unit:** Since this unit is essentially the 28 single-magnet typing reperforator without the tape perforating mechanism and with a modification of the tape guide and tape-feed mechanisms, most of the lubrication procedures for the 28 tape typing unit are the same as those for the similar 28 typing reperforator. These common procedures are listed in Part 2 of this section, which also contains those lubrication directions peculiar to the 28 tape typing unit.

1.08 **28 Tape Teletypewriter Cover:** The cover should be lubricated in accordance with the procedures shown in the applicable illustrations in Part 2 of this section.

2. LUBRICATION DETAILS

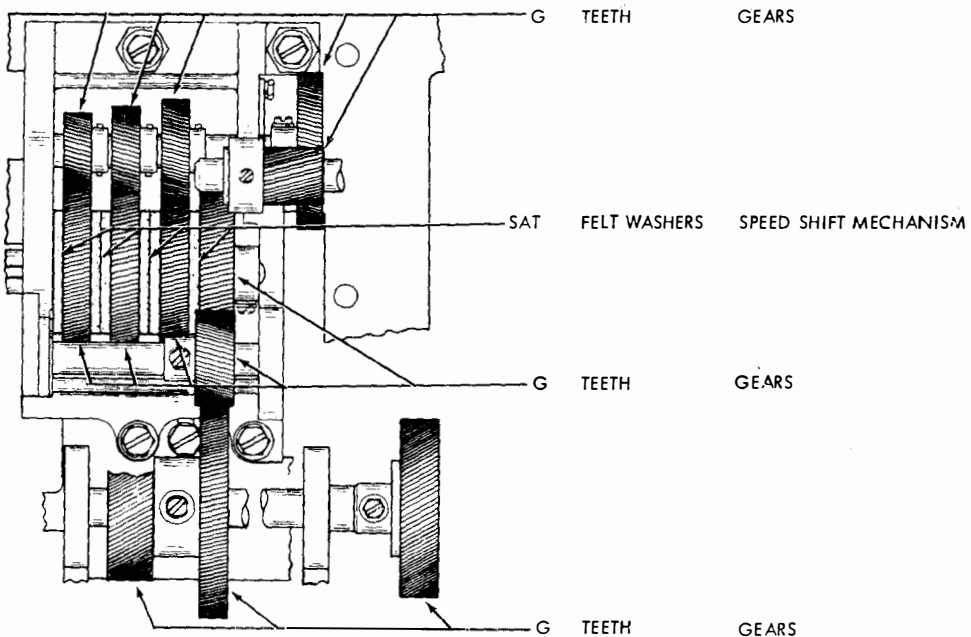
A. 28 Tape Teletypewriter Base

2.01 The following mechanisms should be lubricated as specified for the base of the keyboard send-receive design in the Bell System Practice containing the lubrication procedures for the 28 typing reperforator base (KSR and RO).

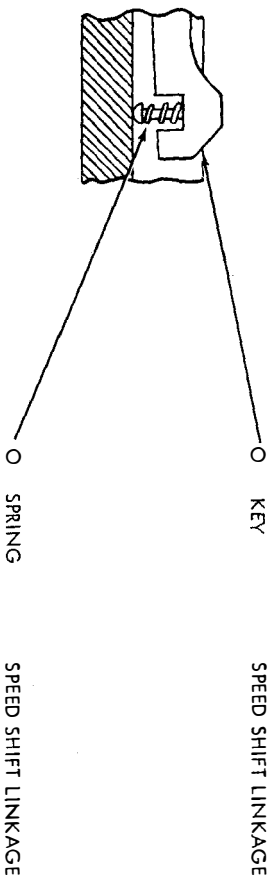
- (1) Spacebar Mechanism
- (2) Keylever Mechanism
- (3) Break Lever Mechanism
- (4) Codelever Mechanism
- (5) Codebar and Lockbar Mechanisms
- (6) Nonrepeat Lever Mechanism
- (7) Contact Box
- (8) Transfer Bail Mechanism
- (9) Transfer Lever Mechanism
- (10) Function Clutch Mechanism
- (11) Local Tape Feedout Mechanism
- (12) Shaft Mechanism
- (13) Universal Bail Latchlever
- (14) Locking Bail Mechanism
- (15) Codebar Bail Mechanism
- (16) Codelever Universal Bail Mechanism
- (17) Lockbar Latch Mechanism
- (18) Electrical Line Break Mechanism
- (19) Tape-out Switch Mechanism
- (20) Character Counter Mechanism

2.02 In addition to the mechanisms listed in 2.01, the parts illustrated in 2.03 to 2.05, inclusive, should be lubricated as indicated therein.

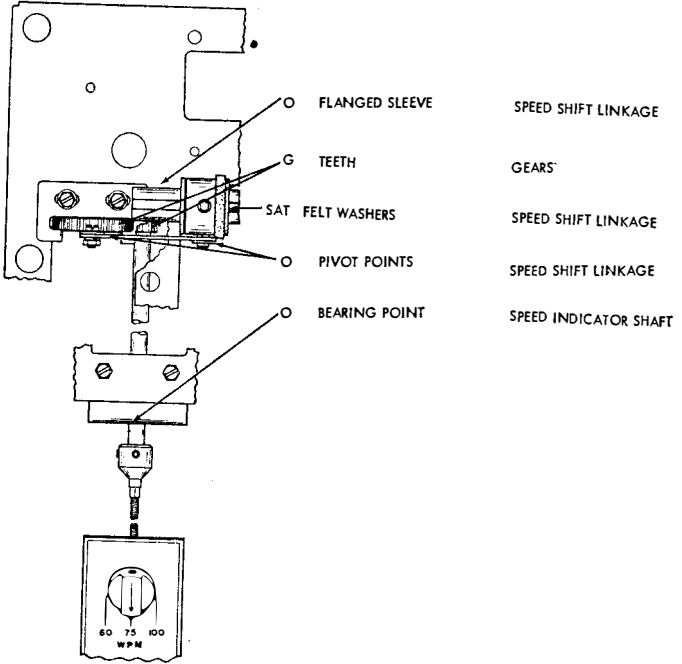
2.03 Speed-shift Mechanism and Gears



2.04 Speed-shift Linkage



2.05 Speed-indicator Shaft, Speed-shift Linkage, and Gears

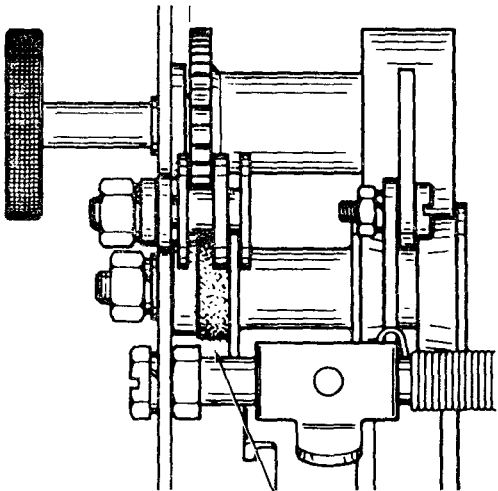


B. 28 Tape Typing Unit

2.06 The following mechanisms should be lubricated in accordance with the Bell System Practice containing the lubrication procedures for the 28 single-magnet typing reperforator.

- (1) Ribbon-feed Mechanism
 - (2) Rotary-positioning Mechanism
 - (3) Selecting Mechanism
 - (4) Range Finder Mechanism
 - (5) Transfer Mechanism
 - (6) Pushbars
 - (7) Main Shaft Mechanism
 - (8) Function Box Mechanism
 - (9) Axial-positioning Mechanism
 - (10) Detent Assemblies
 - (11) Printing Mechanism
 - (12) Rocker Bail Mechanism
 - (13) Function Cam-clutch Trip Mechanism
 - (14) Main Shaft and Jack Shaft Mechanisms
- 2.07 In addition to the mechanisms listed in 2.06, the tape-feed mechanism should be lubricated as indicated in 2.08.

2.08 Tape-feed Mechanism

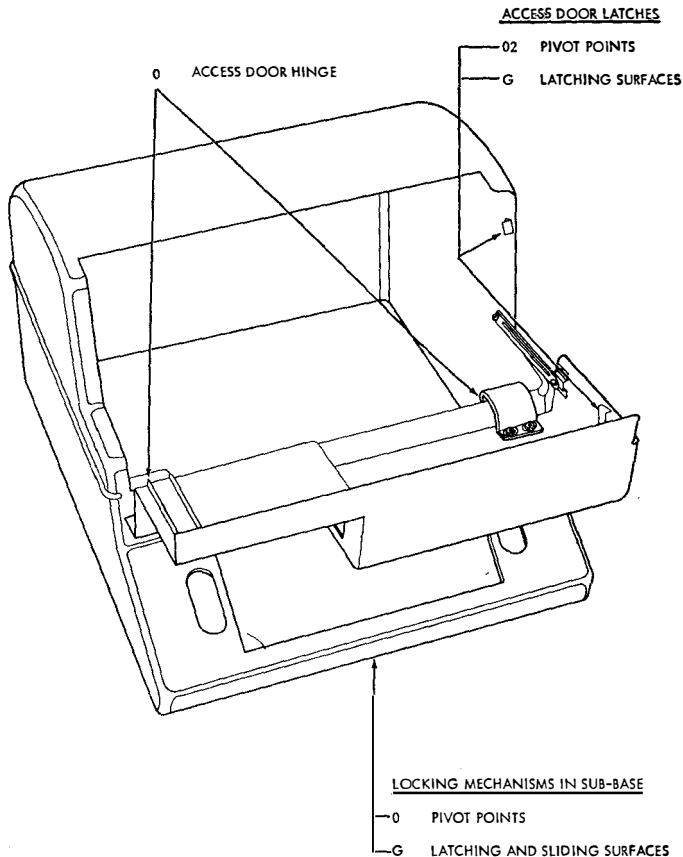


SAT FELT WASHER

TAPE MECHANISM

C. 28 Tape Teletypewriter Cover

2.09 Locking Mechanisms and Door Hinge and Latches



3. ASSOCIATED BELL SYSTEM PRACTICES

3.01 The following Bell System Practice provides additional information that may be required in connection with this section.

Subject	Section
Alphabetical Index of 28-type Equipment, Bell System Practices, and Associated 28 ASR Station Drawings	P34.001