

43 TELEPRINTER 5-LEVEL PAPER TAPE POWER SUPPLY

DISASSEMBLY/REASSEMBLY

1. GENERAL

1.01 This section covers disassembly/reassembly procedures for the 43 Teleprinter 5-Level Paper Tape Power Supply Assembly.

1.02 Whenever this section is reissued, the reason will be listed in this paragraph.

1.03 Although the power supply is considered a field replaceable item, many troubles can be corrected by replacement of repair parts.

1.04 The extent of the disassembly procedure is limited to that which is required for correction of troubles or replacement of parts in field locations. When removing parts from the power supply, note the sequence of removal to enable proper reassembly. For reassembly, reverse the procedure except where different instructions are given. Do not force or pry parts in the process of removal.

1.05 Reference in the procedures to left or right, up or down and top or bottom, etc, refer to the unit in its normal operating position.

1.06 When ordering replaceable parts or components, unless otherwise specified, prefix each part number with the letters "TP" (ie, TP410055).

2. TOOLS REQUIRED

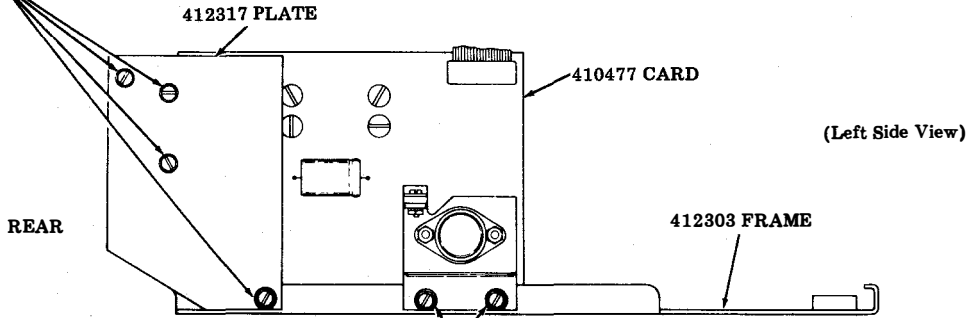
2.01 The following tools may be required when performing the power supply disassembly/reassembly procedures. Most of these items should normally be present in standard maintenance tool kits. See Section 570-005-800 for a listing of various hand tools available for maintaining Teletype Corporation equipment.

<u>Part No.</u>	<u>Tools</u>
89954	Assembly Wrench, 1/4"
100982	Screwdriver w/Clip, 1/4", 6" Blade

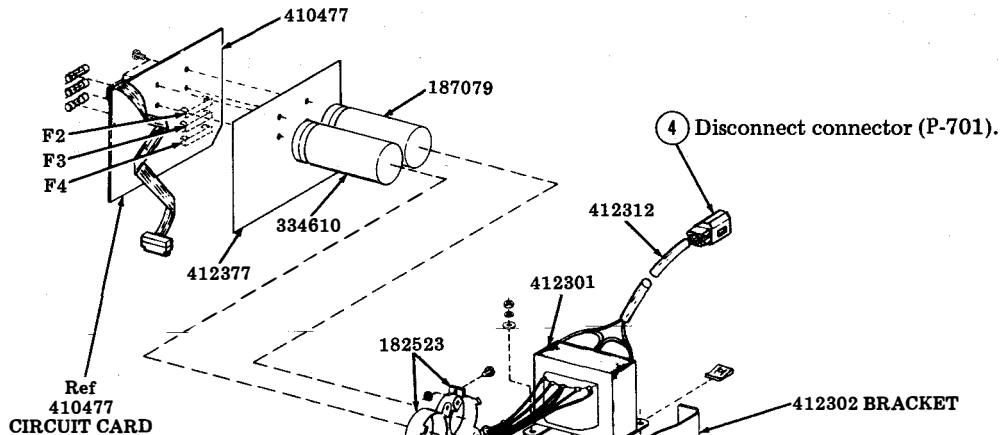
3. DISASSEMBLY/REASSEMBLY

3.01 To remove power supply:

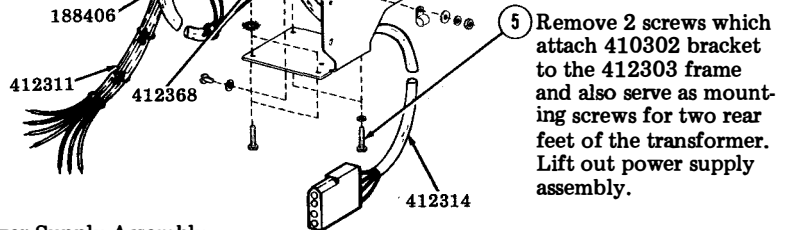
- ① Perform disassembly/reassembly procedures in Section 574-504-720, 3.04 ① through ④ .
- ② Remove the 412317 heat sink plate (mounts by 4 screws).



- ③ Remove 2 screws attaching 410477 card to 412303 frame.



Ref
410477
CIRCUIT CARD



412396 Power Supply Assembly