

43 FRICTION AND SPROCKET FEED PRINTER

PARTS

CONTENTS	PAGE
1. GENERAL .....	1
2. PARTS .....	2
Platen Assembly, Friction Feed, and Sprocket Feed .....	2
Carriage Assembly .....	3
Line Feed Spacing Motor and Bell Assembly .....	4
Spacing Motor with Cable and Encoder .....	5
Spacing Drive and Lead Screw .....	6
Right Side Frame and Rear Frame (Sprocket Feed) .....	7
Right Side Frame (Friction Feed) ...	8
Paper Guide and Paper Tray .....	9
Left Side Frame .....	10
3. NUMERICAL INDEX .....	11
1. GENERAL	
1.01 Information on maintenance spare parts is provided in this section for the 43 Friction and Sprocket (Pin) Feed Printer.	

1.02 This section is reissued to change the maintenance spare stocking ratios and update the maintenance spare information.

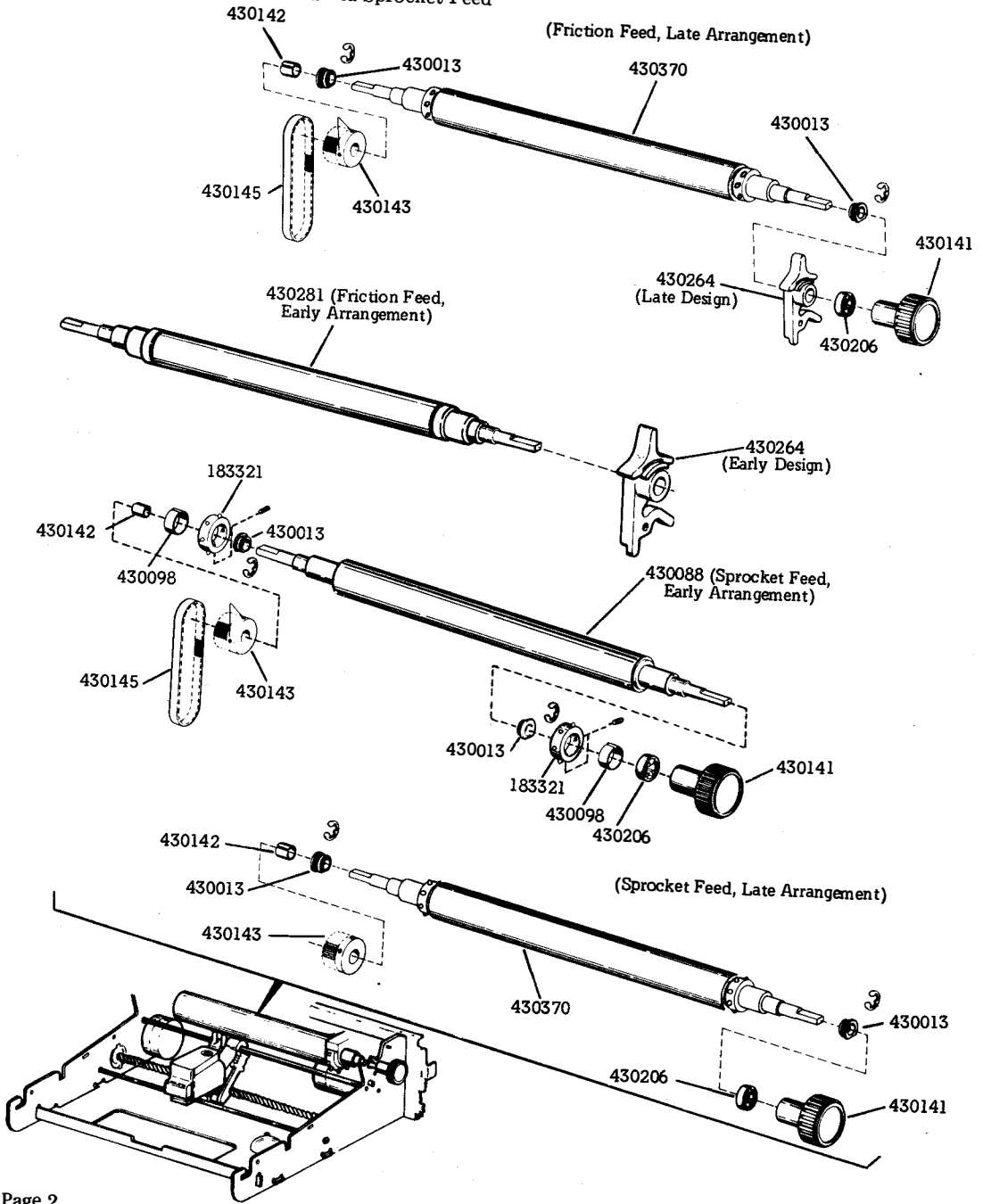
1.03 Part numbers are listed in the index in numerical order and indicate the page on which the parts appear. Asterisked numbers, stocked as "List 1", indicate a maintenance spare stocking ratio of one spare for each 50 stations in a maintenance area. Part numbers without asterisks are not maintenance spares but may be ordered separately for local repair of the printer. Before ordering, verify that a particular spare is applicable to the type of printer in service.

1.04 When ordering replaceable components, unless otherwise specified, prefix each part number with "TP" (ie, TP430019).

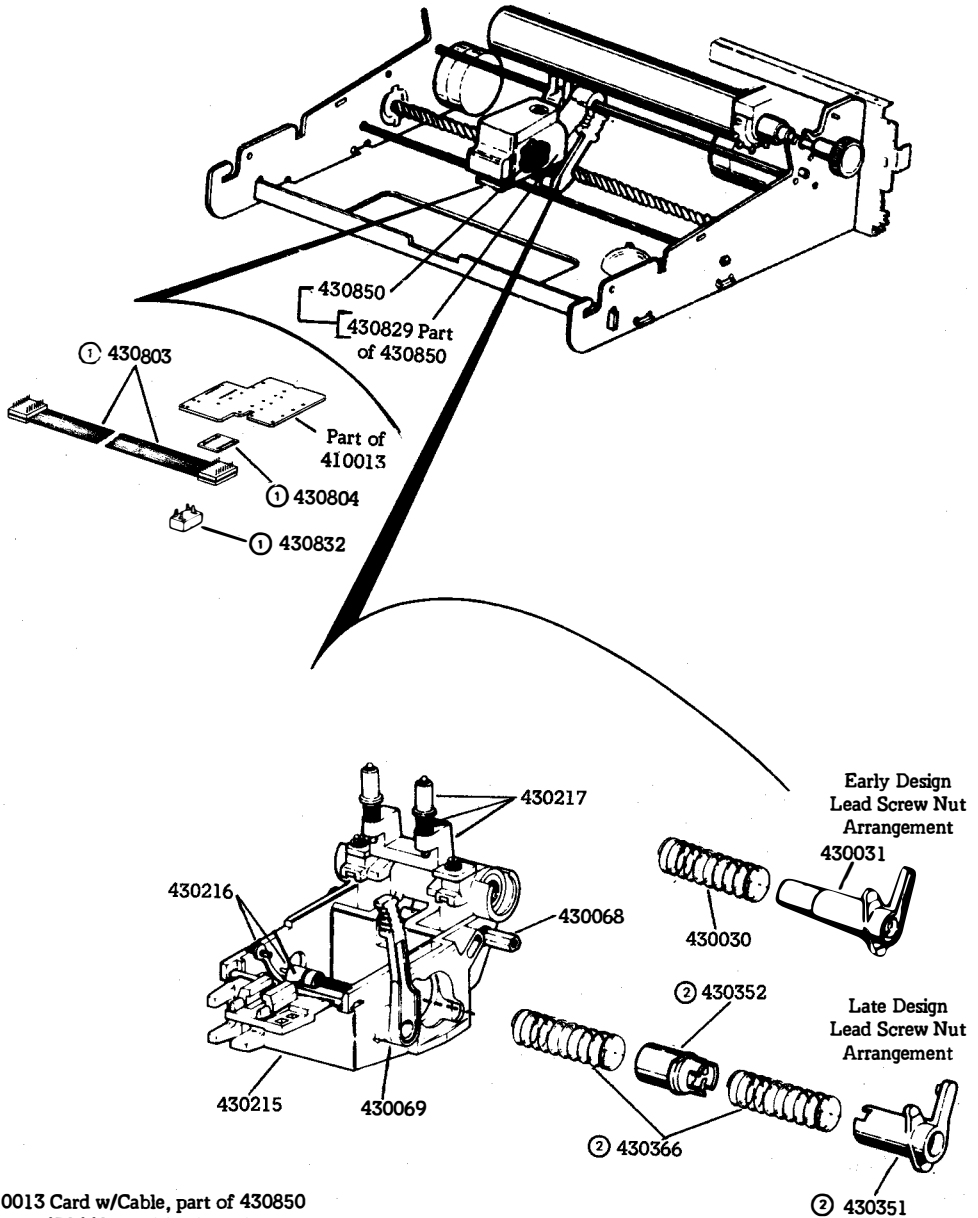
1.05 Troubleshooting and disassembly/reassembly information for these parts is provided in Section 574-501-300 and Section 574-501-720, respectively.

2. PARTS

Platen Assembly, Friction Feed and Sprocket Feed

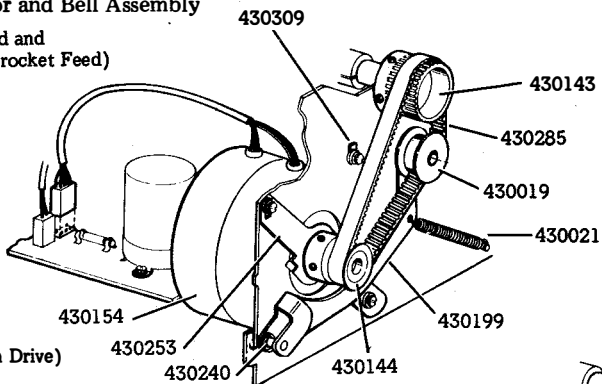


Carriage Assembly

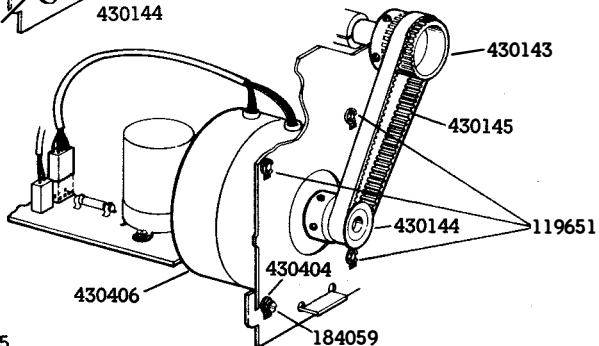
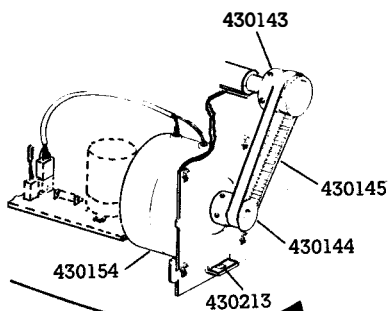


Line Feed Spacing Motor and Bell Assembly

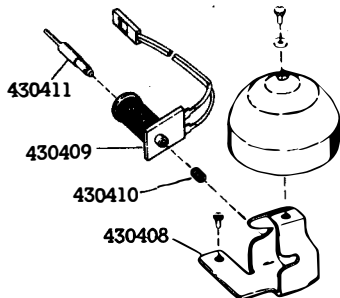
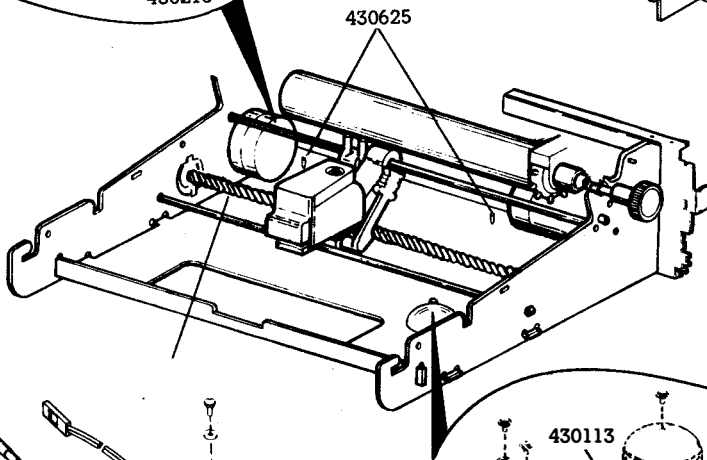
(Friction Feed and  
Late Design Drive Sprocket Feed)



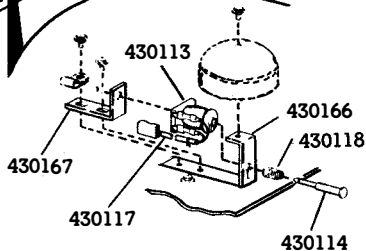
(Sprocket Feed Early Design Drive)



Sprocket and Friction Feed  
Late Arrangement



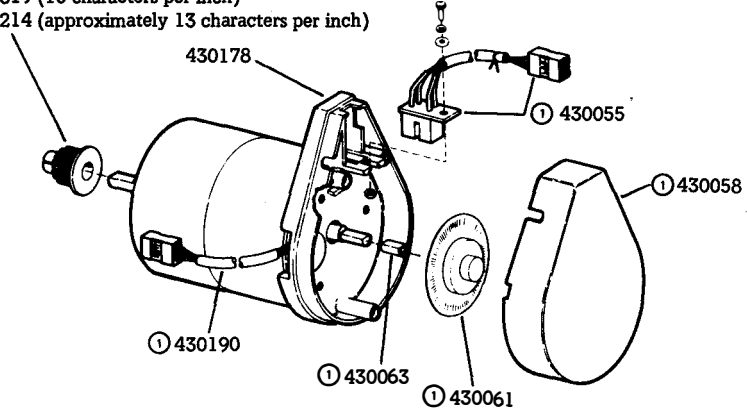
453240 Bell Assembly  
Late Design



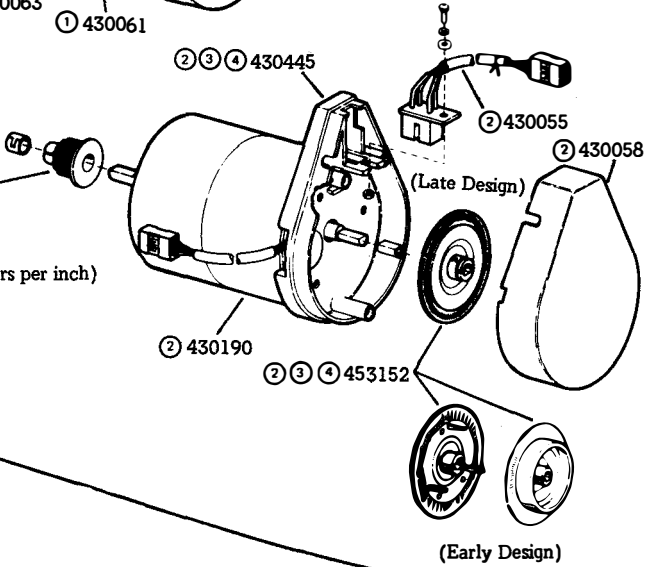
(Bell Assembly, Early Design)

Spacing Motor with Cable and Encoder

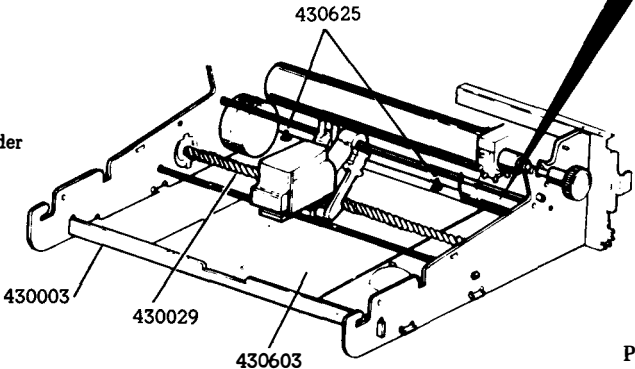
430319 (10 characters per inch)  
430214 (approximately 13 characters per inch)



430319 (10 characters per inch)  
430214 (approximately 13 characters per inch)

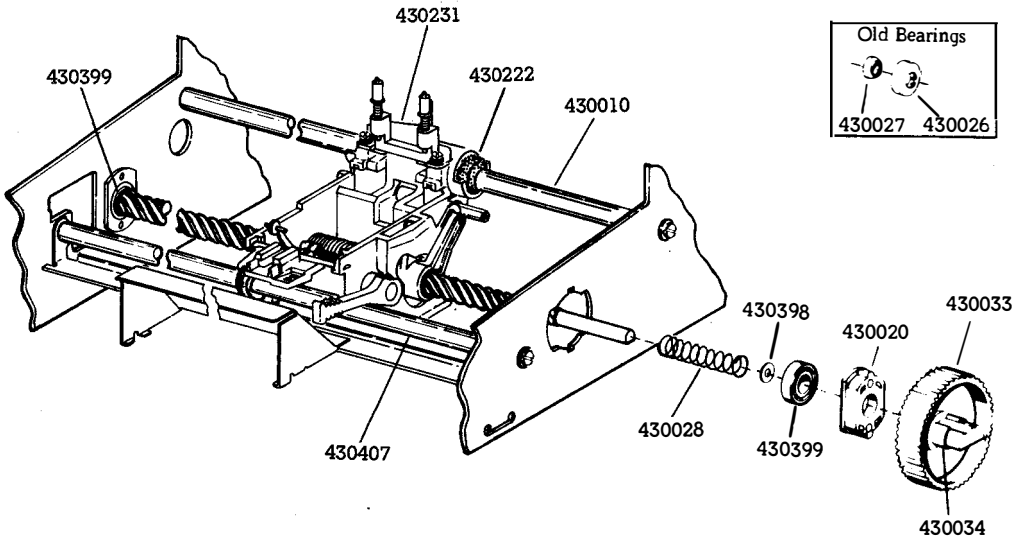
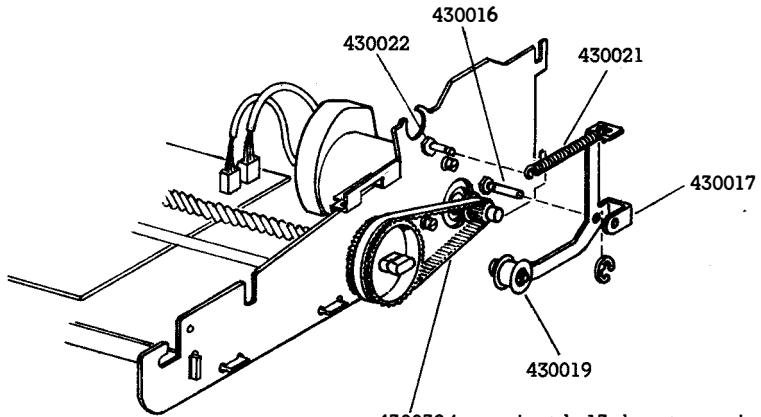


- ① 430047 Motor w/Cable and Encoder
- ② Part of 430441 Motor w/Cable and Encoder
- ③ Part of 430440 Modification Kit
- ④ Part of 430439 Modification Kit

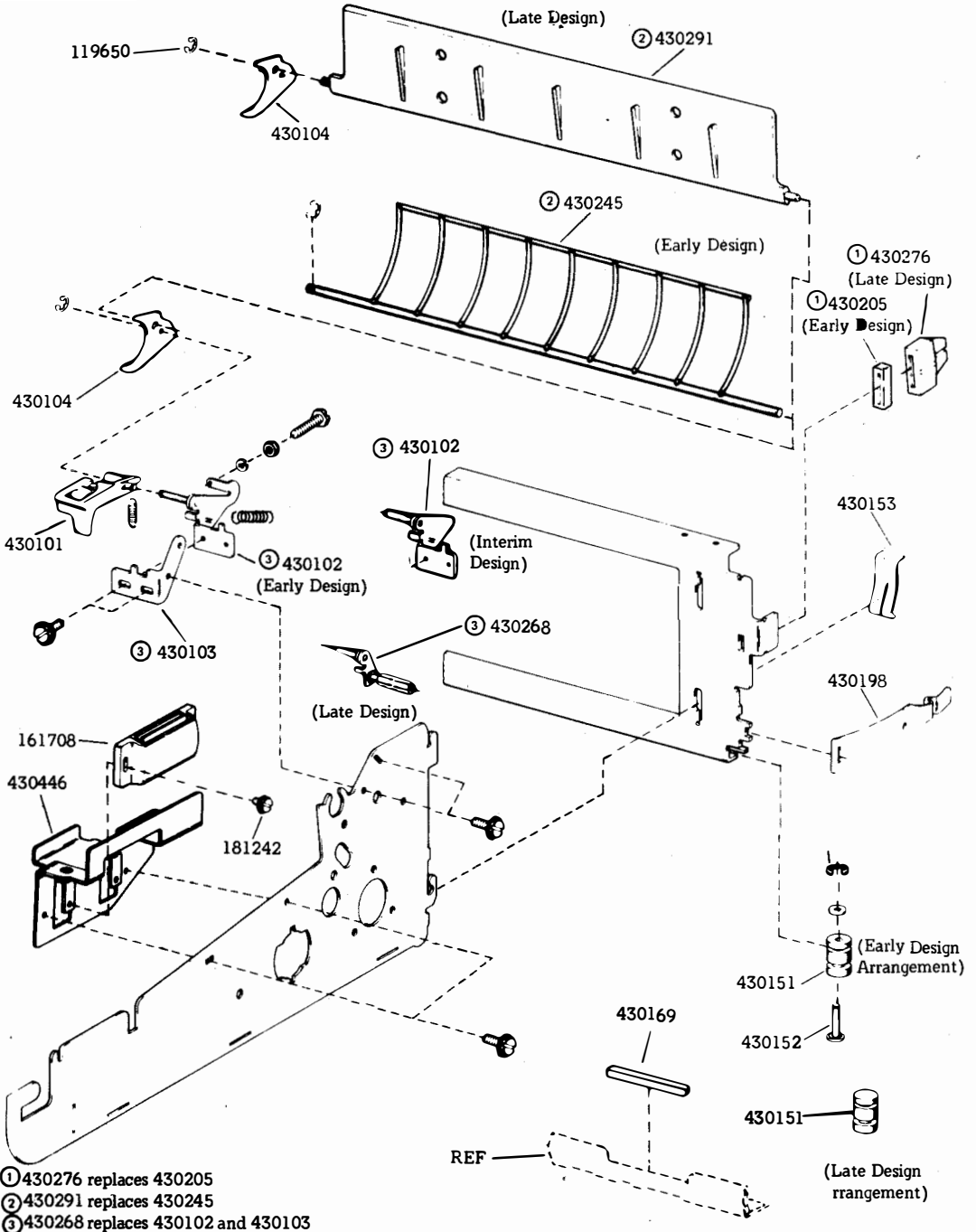


SECTION 574-501-800

Spacing Drive and Lead Screw

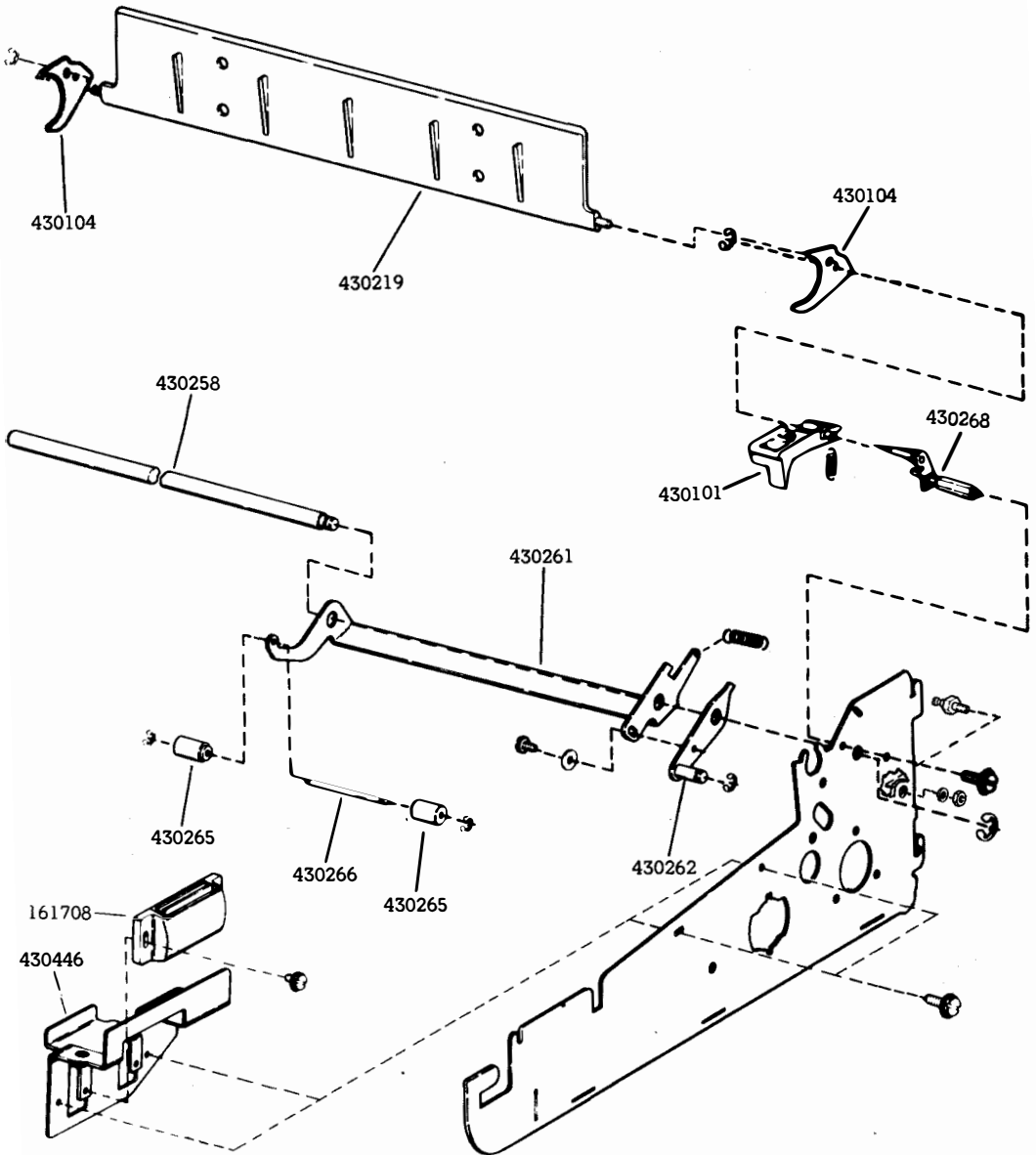


Right Side Frame and Rear Frame (Sprocket Feed)



SECTION 574-501-800

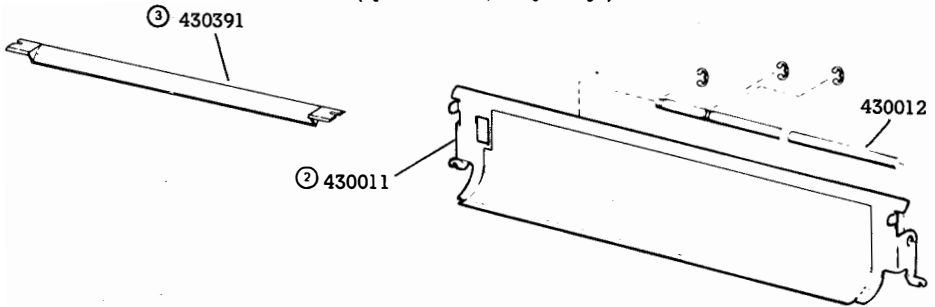
Right Side Frame (Friction Feed)



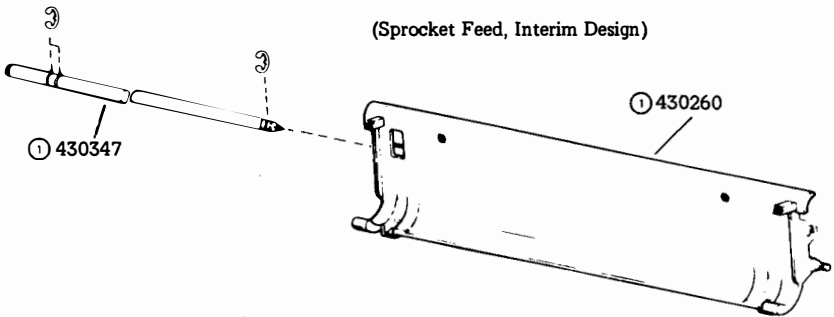


Paper Guide and Paper Tray

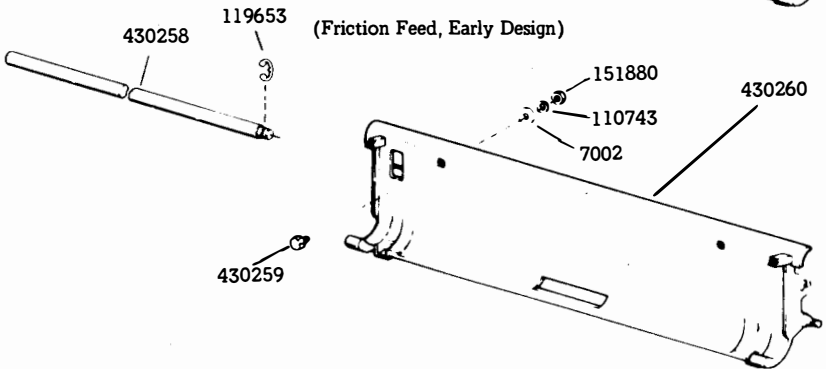
(Sprocket Feed, Early Design)



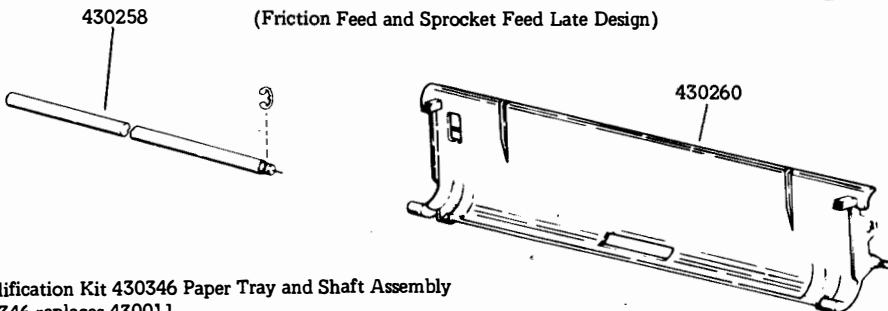
(Sprocket Feed, Interim Design)



(Friction Feed, Early Design)



(Friction Feed and Sprocket Feed Late Design)

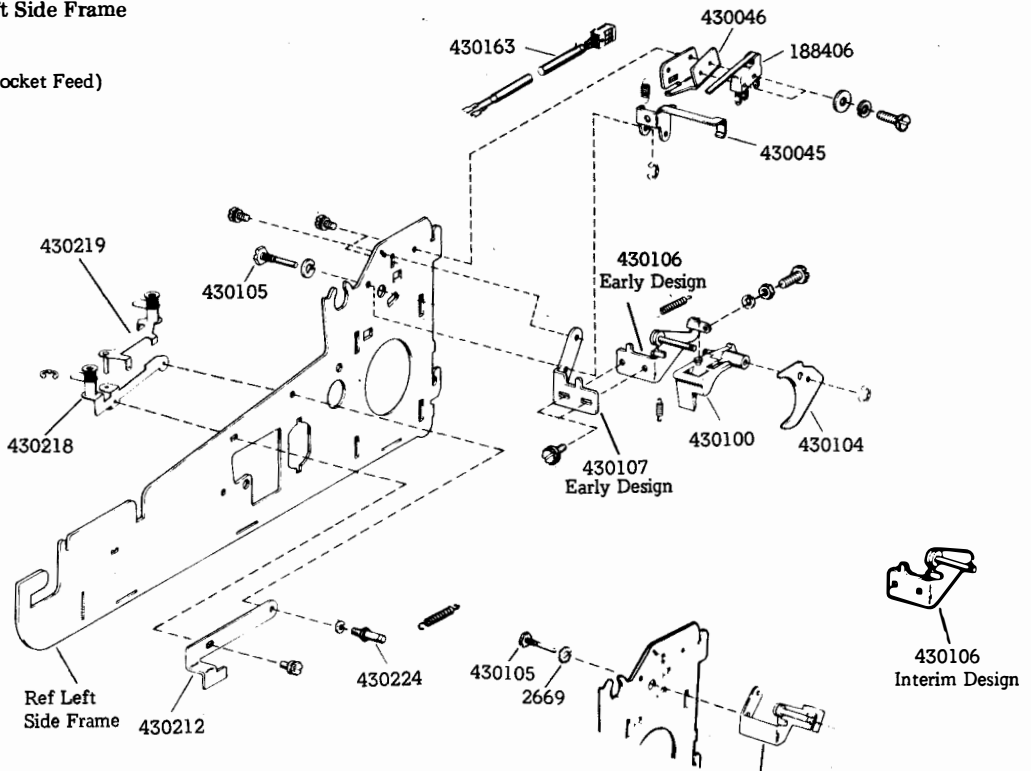


- ① Modification Kit 430346 Paper Tray and Shaft Assembly
- ② 430346 replaces 430011
- ③ 430391 replaces 430179

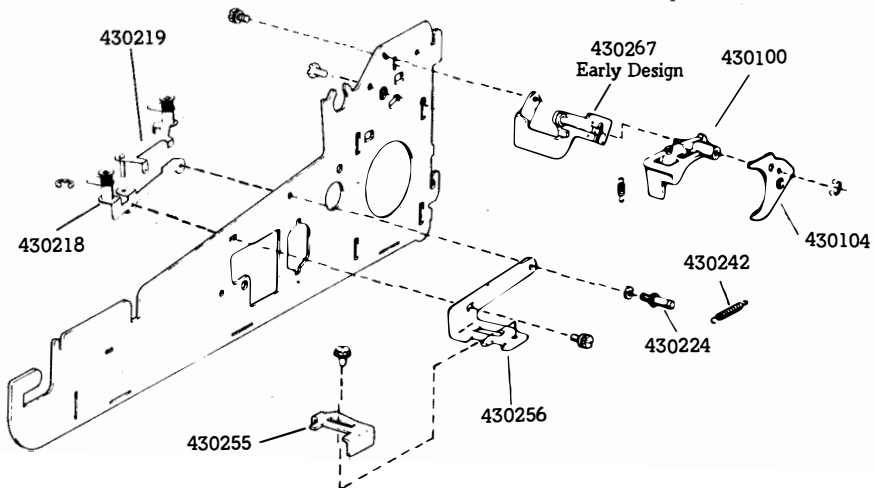
SECTION 574-501-800

Left Side Frame

(Sprocket Feed)



(Friction Feed)



## 3. NUMERICAL INDEX

3.01 Parts listed without asterisks are not maintenance spares but may be ordered as needed for local repair of major components or terminals.

Part Number	Description and Page Number	Part Number	Description and Page Number	Part Number	Description and Page Number
2669	Lockwasher 10	430101	Guide, Right Paper 7,8	430258	Shaft, Paper Tray 8, 9
7002	Washer, Flat 9	430102	Bracket, w/Posts 7	430259	Stud, Paper Guide 9
110743	Lockwasher 9	430103	Bracket, Right 7	430260	Tray, Paper 9
119650	Ring, Retaining 7	430104	Stripper, Paper 7, 8, 10	430261	Bail, Roller 8
119651	Ring, Retaining 4	430105	Post 10	430262	Plate w/Post 8
119653	Ring, Retaining 9	430106	Bracket w/Post, Left 10	430264	Lever, Friction Feed 2
151880	Nut, 4-40 Hex 9	430107	Bracket, Left 10	430265	Roller, Pressure 8
161708	Latch, Magnetic 7,8	430113	Coil Assembly 4	430266	Shaft, Roller 8
181242	Screw w/Lockwasher, 6-40 x 5/16 Hex 7	430114	Plunger w/Pin 4	430267	Bracket, Left 10
183321	Sprocket w/Pins 2	430117	Cable Assembly 4	430268	Bracket w/Posts 7, 8
184059	Screw w/Lockwasher, 6-40 x 1/2 Hex 4	430118	Spring, Compression 4	430276	Support, Bustle 7
188406	Switch, Actuator 10	430141	Knob, Platen 2	430281	Platen w/Spacers 2
410013	Card Assembly 3	430142	Clip, Platen 2	430285	Belt Timing 4, 6
430003	Pan 5	430143	Pulley, 42T Platen 2, 4	430291	Separator, Paper 7
430010	Rod, Guide 6	430144	Pulley w/Flange, 24T 4	430309	Slot, Bushing 4
430011	Tray, Paper 9	430145	Belt, Timing 2, 4	430319	Pulley w/Clip 5
430012	Shaft, Paper Tray 9	430151	Mount, Rear 7	430346	Assembly, Paper Tray and Shaft 9
430013	Bearing, Platen 2,3	430152	Stud 7	430347	Shaft, Paper Tray 9
430016	Post, Lever 6	430153	Clip 7	430351	Nut, Lead Screw 3
430017	Lever w/Stud 6	430154	Motor w/Cable 4	430352	Nut, Lead Screw 3
430019	Roller w/Bearing 4,6	430163	Cable Assembly 10	430366	Spring, Compression 3
430020	Bearing, Housing 6	430166	Bracket, Bell 4	430370	Platen 2
430021	Spring 4,6	430167	Bracket, Bell 4	430391	Guide, Paper 9
430022	Post, Spring 6	430169	Strip, Insulator 7	430398	Washer, Flat 6
430026	Bearing, Outer 6	430178	Housing 5	430399	Bearing, Ball 6
430027	Bearing, Inner 6	430179	Guide 9	430404	Spacer, Line Feed 4
430028	Spring, Compression 6	430190	Motor w/Cable 5	430406	Motor Assembly 4
430029	Screw, Lead 5	430198	Clamp 7	430407	Rod, Lower Guide 6
430030	Spring, Compression 3	430199	Lever w/Stud 4	430408	Bracket 4
430031	Nut, Special 3	430205	Bumper 7	430409	Coil 4
430032	Belt, Timing 6	430206	Spacer 2	430410	Spring, Plunger 4
430033	Pulley, 81T 6	430212	Bracket, Margin 10	430411	Striker, Bell 4
430034	Fastener 6	430213	Nut, Speed 4	430439	Modification Kit 5
430045	Lever, Switch 10	430214	Pulley w/Clip 5	430440	Modification Kit 3, 5
430046	Bracket, Switch 10	430215	Carriage w/Post 3	430441*	Motor W/Cable and Encoder 5
430047	Motor w/Cable and Encoder 5	430216	Collar w/Link 3	430445	Housing 5
430055	Cable Assembly 5	430217	Bridge Assembly 3	430446	Bracket, Right 7, 8
430058	Cover 5	430218	Bracket Assembly, Left 10	430448	Bracket, Left 10
430061	Disc, Encoder 5	430219	Plate Assembly, Left 8, 10	430603	Insulator 5
430063	Fastener 5	430222	Washer, Felt 6	430625	Support 4, 5
430068	Nut 8-32 Spl 3	430224	Post, Spring 10	430803	Cable Assembly 3
430069	Handle, Locking 3	430231	Shield, Ribbon 6	430804	Insulator 3
430088	Plate 2	430240	Stud, Idler Bracket 4	430829	Cover 3
430098	Clip, Sprocket 2	430242	Spring 10	430832	Switch 3
430100	Guide, Left Paper 10	430245	Separator, Paper 7	430850	Head Assembly, Print 3
		430253	Bracket, Stop 4	453152	Disc, Encoder 5
		430255	Slide 10	453240	Bell Assembly 4
		430256	Bracket 10		

\*A Maintenance spare stocking ratio of one spare for each 50 stations in a maintenance area.