



TP196929 MODIFICATION KIT

APPARATUS AFFECTED: 35B Typing Unit.

OBJECT: To eliminate difficulties in the line feed mechanism used in the sprocket feed typing unit with a six-cycle clutch.

CHANGE: The TP196929 modification kit consists of the following:

- TP192305 bail assembly
- TP192307 slide
- TP192308 stripper slide
- TP192310 torsion spring

The TP192305 bail assembly camming surface was changed. The cut out portion of the TP192307 slide allowing the TP192305 bail assembly to drop in was changed. The stripper portion of the TP192308 stripper slide was changed. The TP192310 torsion spring was changed from a right-hand winding to a left-hand winding. (See Figures 1 and 2 for parts information marked with (*).)

IDENTIFICATION: The TP192305 bail assembly, the TP192307 slide and the TP192308 stripper slide can be identified by the black oxide finish.

INTERCHANGEABILITY: New style and old style parts are individually interchangeable. However, for best results, a completely new TP196929 modification kit should be used.

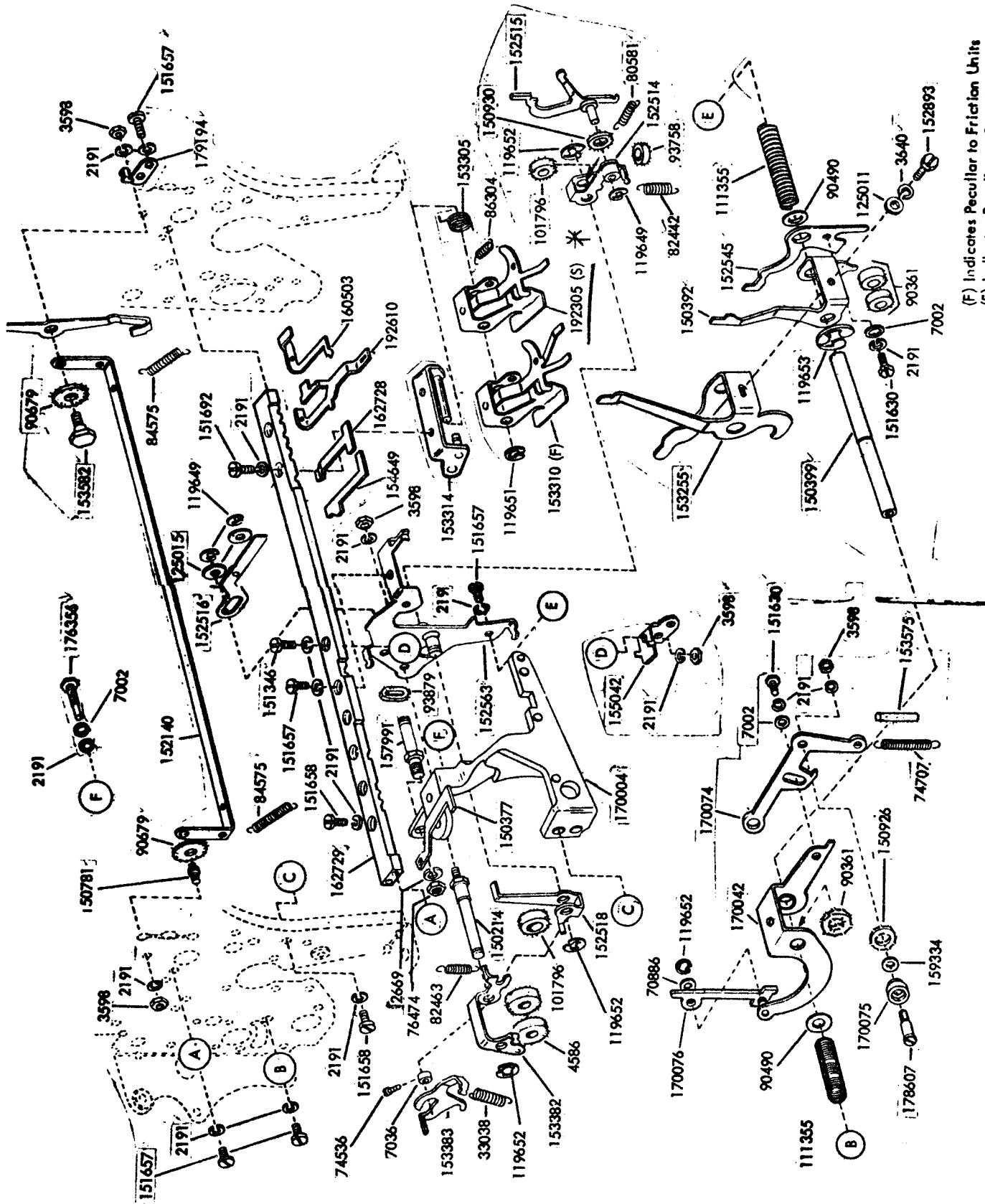
CLASSIFICATION FOR APPARATUS FURNISHED BY TELETYPE: This change is now in effect.

W.E.CO. STOCK OF OLD STYLE PARTS: May be used for sprocket feed typing units equipped with other than six-cycle clutches.

APPLICATION TO APPARATUS IN THE FIELD: Should be incorporated in all sprocket feed typing units equipped with a six-cycle clutch where required for proper operation.

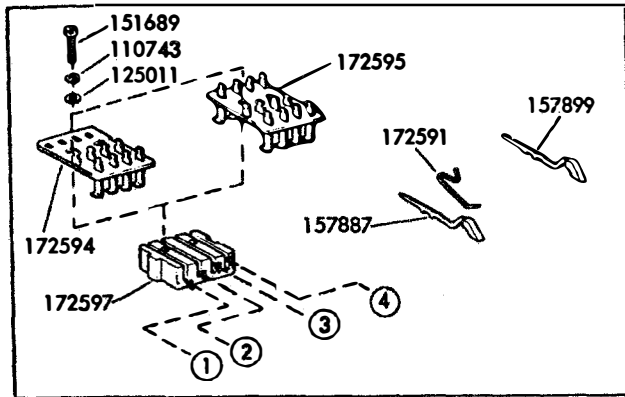
APPLICATION AT W.E.CO. DIST. HOUSE REPAIR SHOPS: All units shall be equipped with new style parts as soon as new style parts can be obtained from Teletype.

AVAILABILITY: Now available.

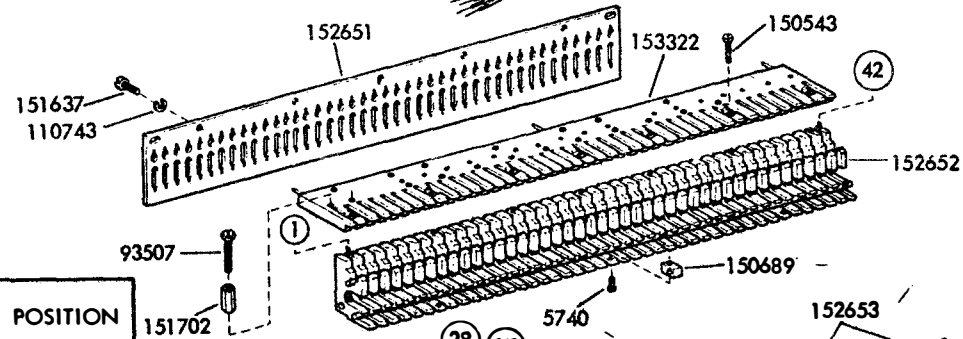
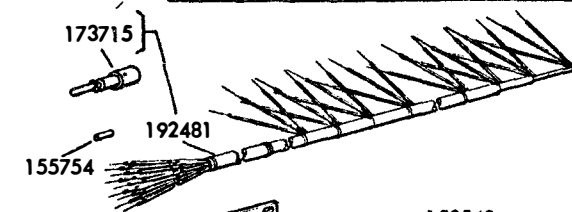


(F) Indicates Peculiar to Friction Units
 (S) Indicates Peculiar to Sprocket Units

Fig. 1 - Space Suppression Mechanism



SWITCH ASSEMBLY NO.	CONTACT PLATE NO.	CONTACT ARM POSITION			
		1	2	3	4
172525	172595	157887	157887	157887	157887
172538	172595		157887	157887	157887
172542	172594	157887	157899	157887	157887



FUNCTION BAR NO.	FUNCTION	POSITION
192459	CR	5
192460	R1-OFF	14
192462	R1-ON	15
192463	BELL	16
192464	HOR-TAB	17
192465	WRU	25, 26
192466	EOT	27
192467	X-OFF	31
192468	RU	32
192469	X-ON	28
192470	ACK	30
192471	LF	29, 40
192472	VT	41
192473	FF	13, 42
192475	H&VT	12

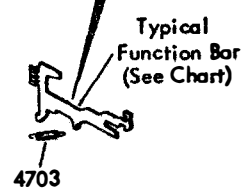
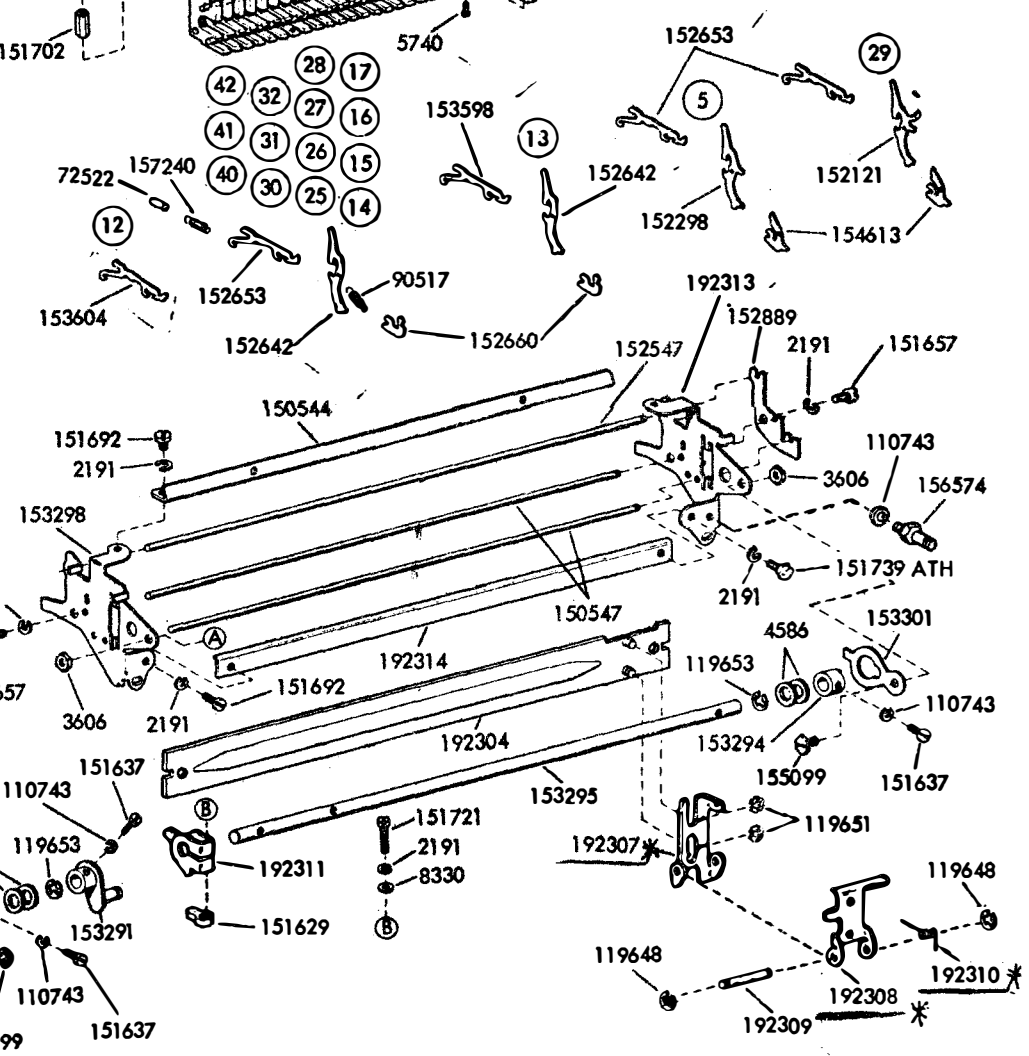


Fig. 2 - TP192505 ("ATH") Stunt Box Assembly

RECEIVED
SEP 18 1963
PLANT DEPT.
LOUISVILLE, KY.