

28 MULTIPLE WIRE DISTRIBUTOR - EARLY DESIGN (LD)

PARTS

FIGURE	CONTENTS	PAGE
1	Frame Assembly	2
2	Main Shaft Mechanism	3
3	Contact Assembly and Clutch Trip Mechanism	4
4	153921 and 173142 Modification Kits to Add Multiple Wire Distributor to Base	5
5	Parts for Distributor Mounted on a Transmitter Distributor Base in a Automatic Send-Receive Set	6
6	159361 and 173358 Modification Kits to Add Terminal Block Assembly to Cabinets	7
7	164480 Modification Kit to Provide Wiring for the 28 Type Multiple Wire Distributor	8
	Numerical Index	9

Application	Teletype Code	Bell System Code
Mounts on base of M28 Page Printer Set or Sequence Selector	LD1	28A
	LD2	28D
	LD3	28A-1
	LD4	28D-1
Mounts on base in M28 Automatic Send-Receive Set	LD5	28A-2
	LD6	28D-2

NOTE:

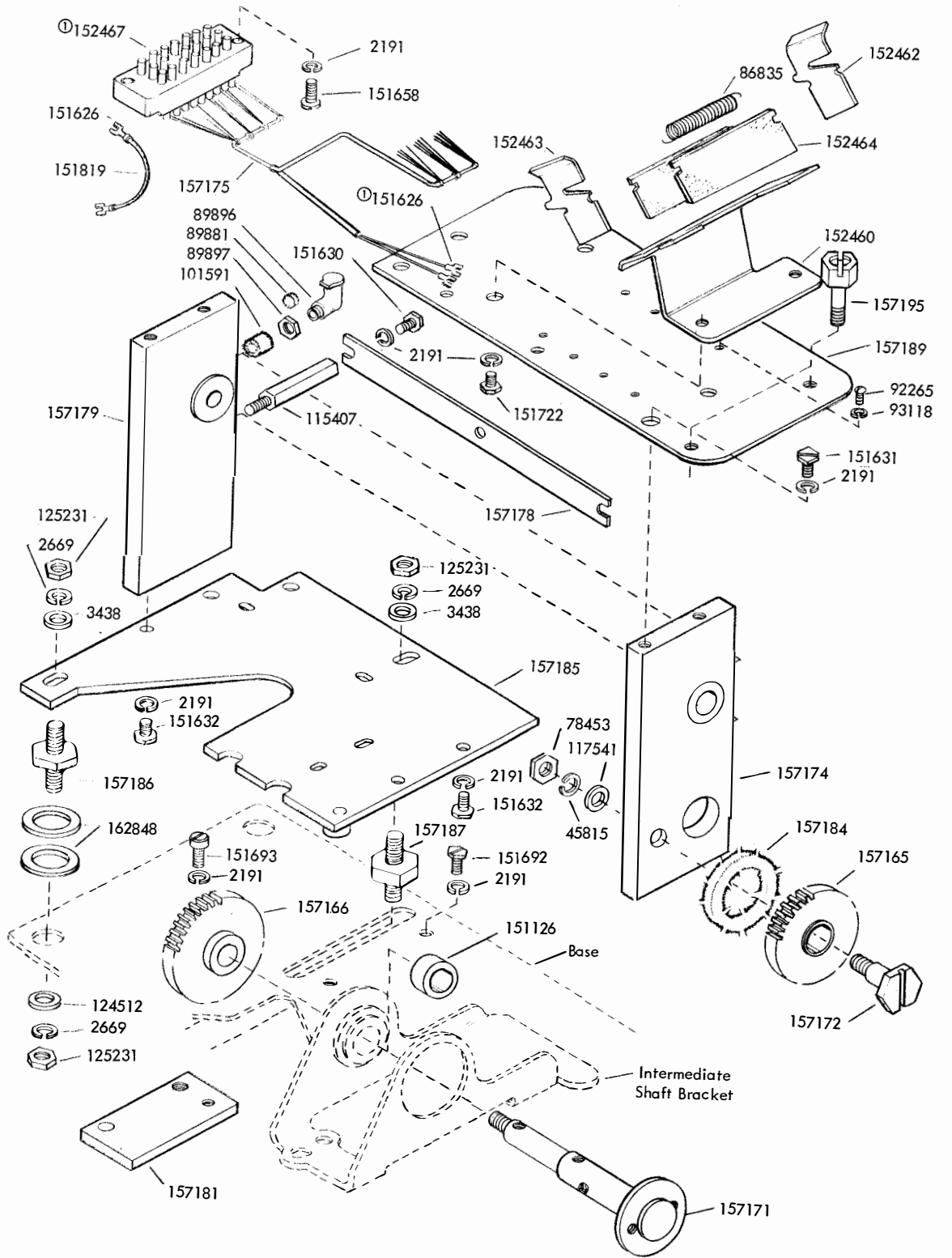
When ordering parts from this section,
prefix each number with the letters TP.

Prepared for American Telephone and Telegraph Company by Teletype Corporation.

©1956 by Teletype Corporation.

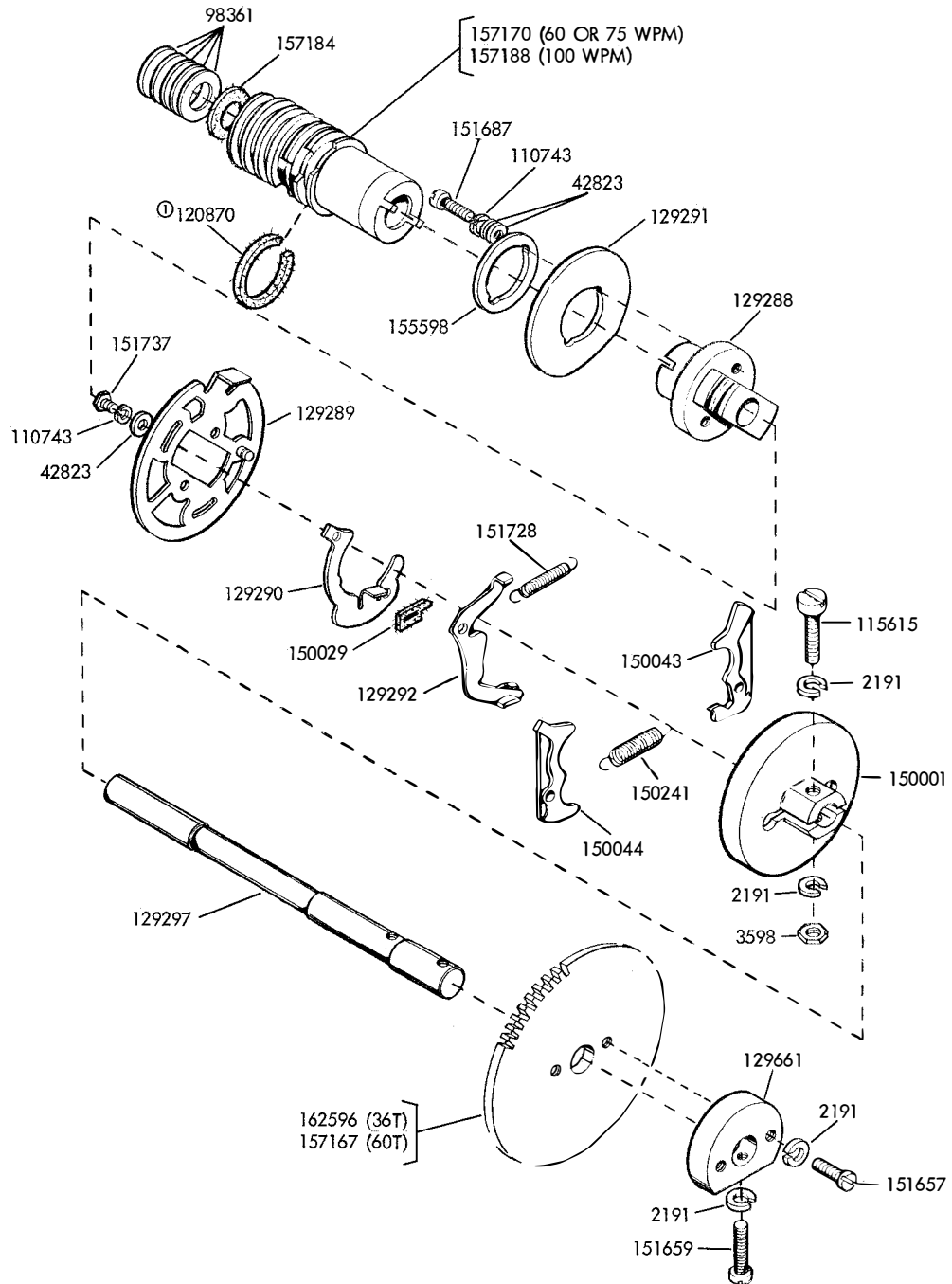
All rights reserved.

Printed in U.S.A.



① Part of 157175

FIGURE 1. FRAME ASSEMBLY



① Part of 157170 and 157188

FIGURE 2. MAIN SHAFT MECHANISM

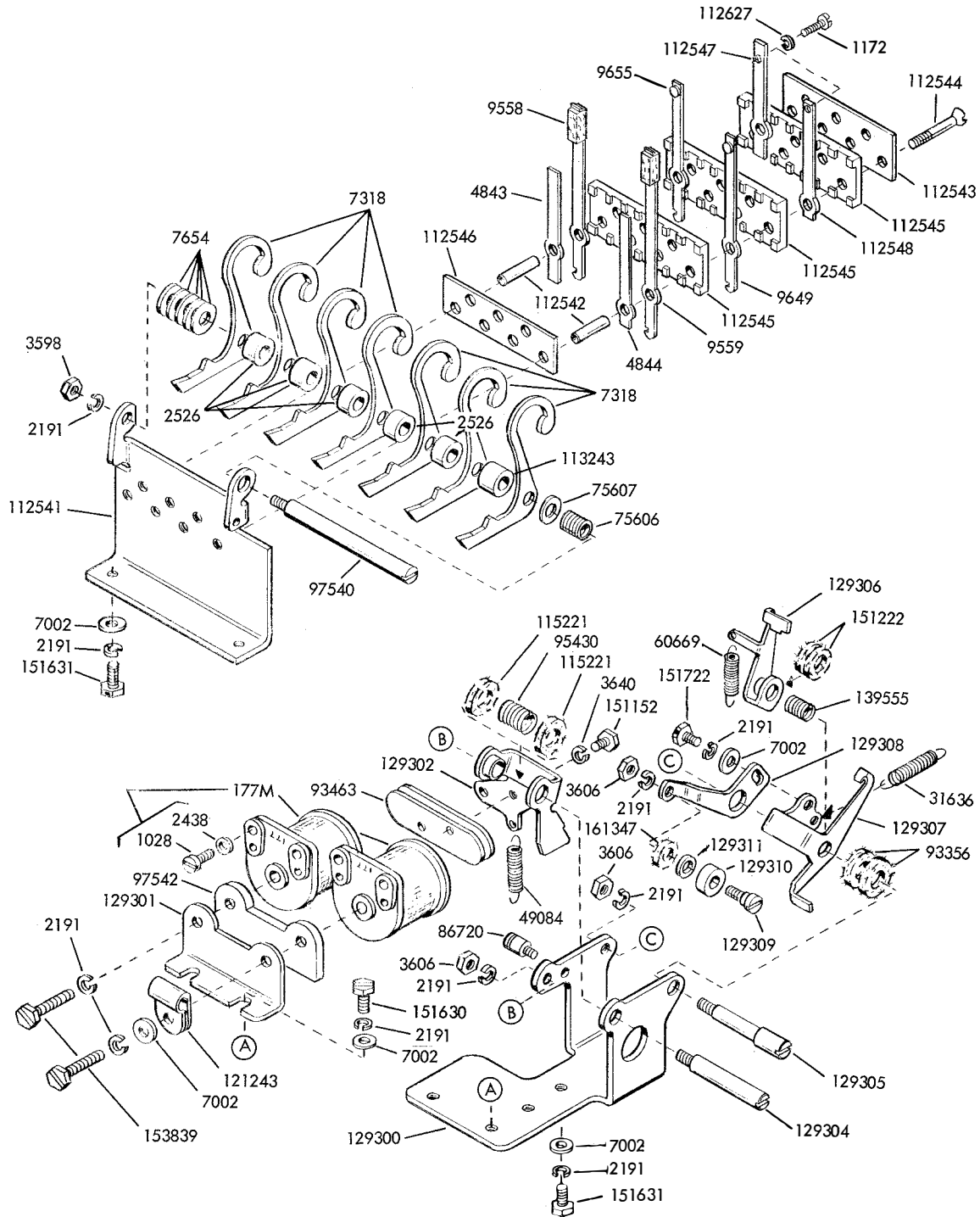


FIGURE 3. CONTACT ASSEMBLY AND CLUTCH TRIP MECHANISM

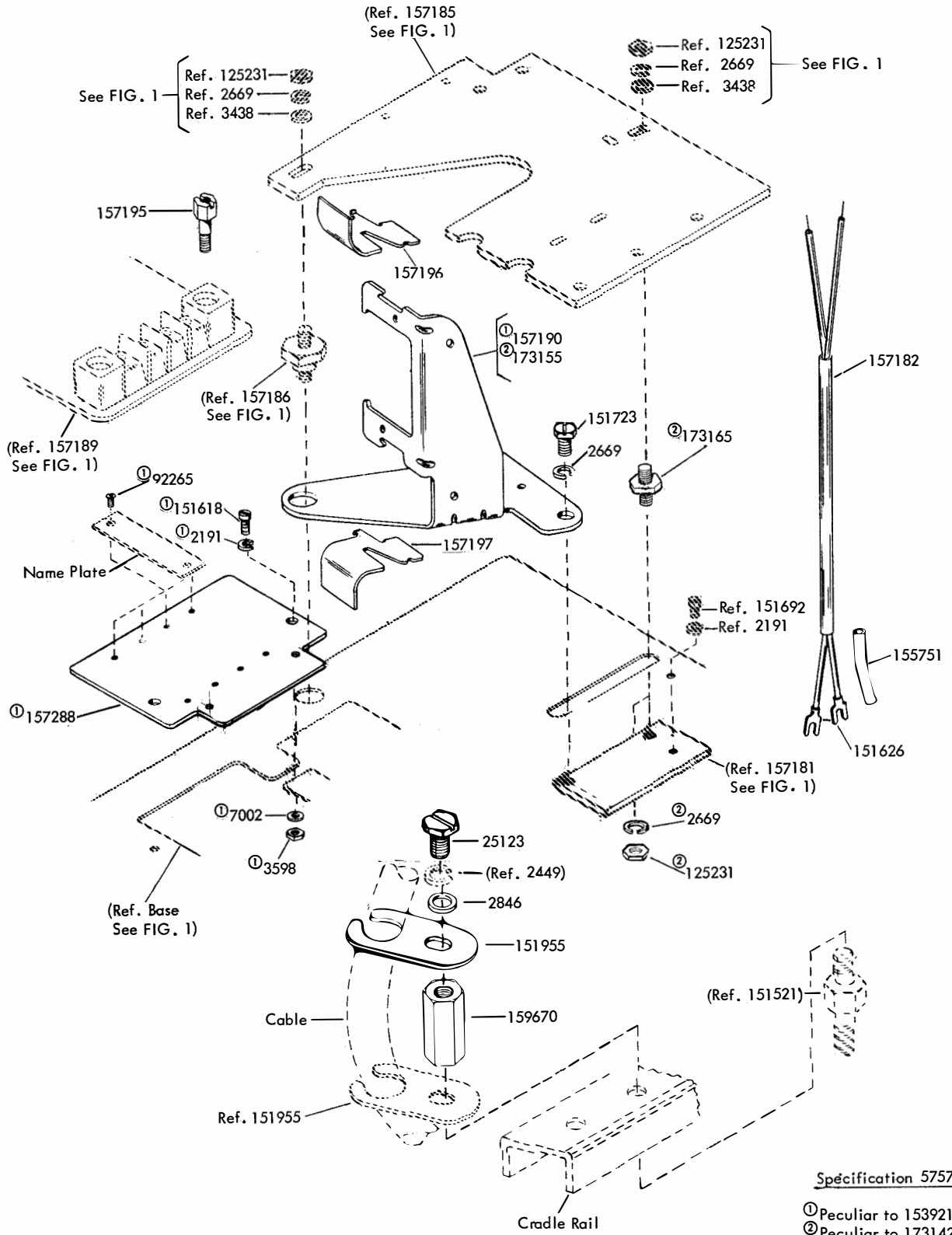


FIGURE 4. 153921 AND 173142 MODIFICATION KITS TO ADD MULTIPLE WIRE DISTRIBUTOR TO BASE

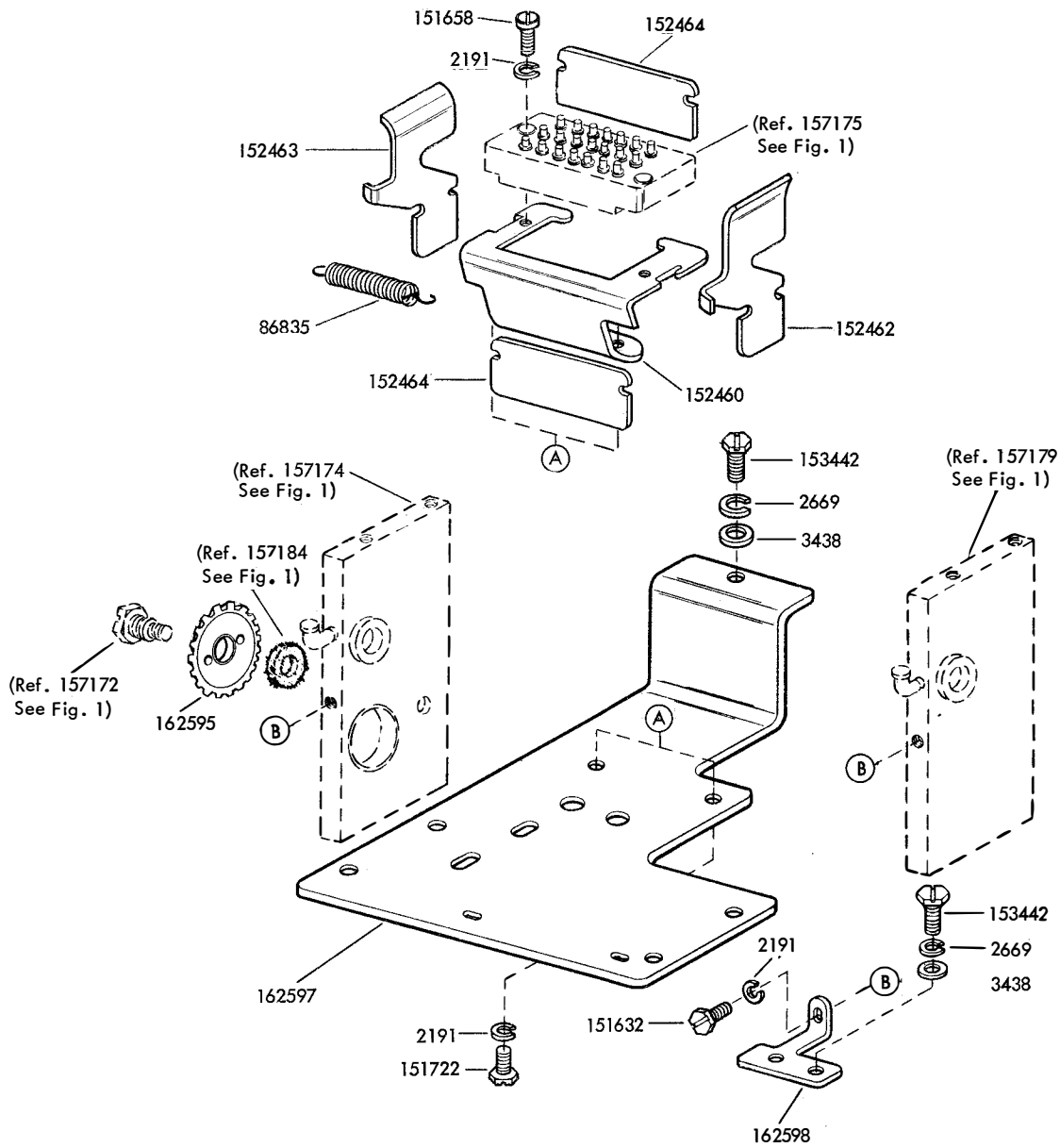
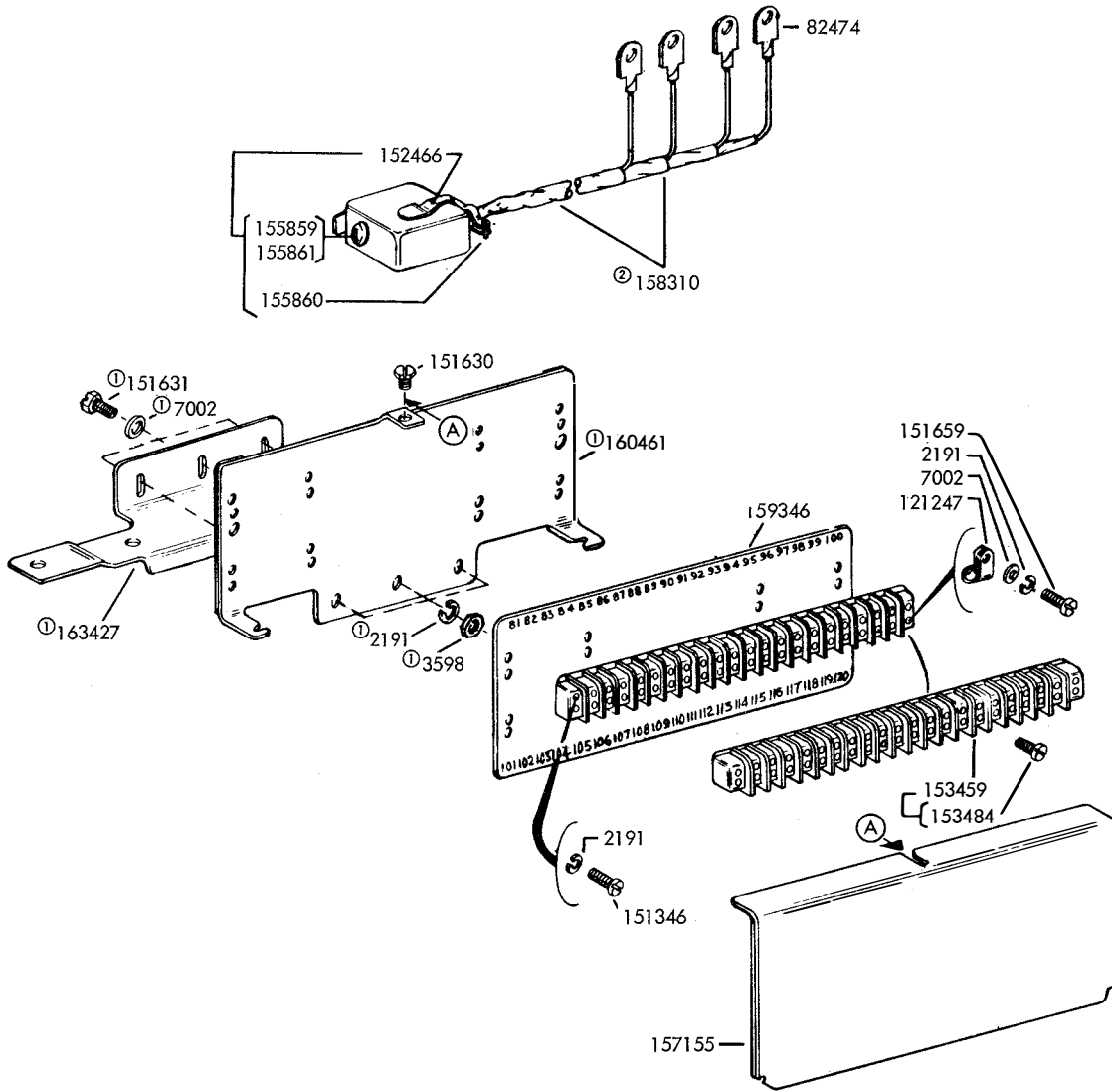


FIGURE 5. PARTS FOR DISTRIBUTOR MOUNTED ON A TRANSMITTER DISTRIBUTOR BASE IN A AUTOMATIC SEND-RECEIVE SET



Specification 5757S

- ① Part of 163428 Bracket Assembly
- ② Part of 173358 Modification Kit

FIGURE 6. 159361 AND 173358 MODIFICATION KITS TO ADD TERMINAL BLOCK ASSEMBLY TO CABINETS

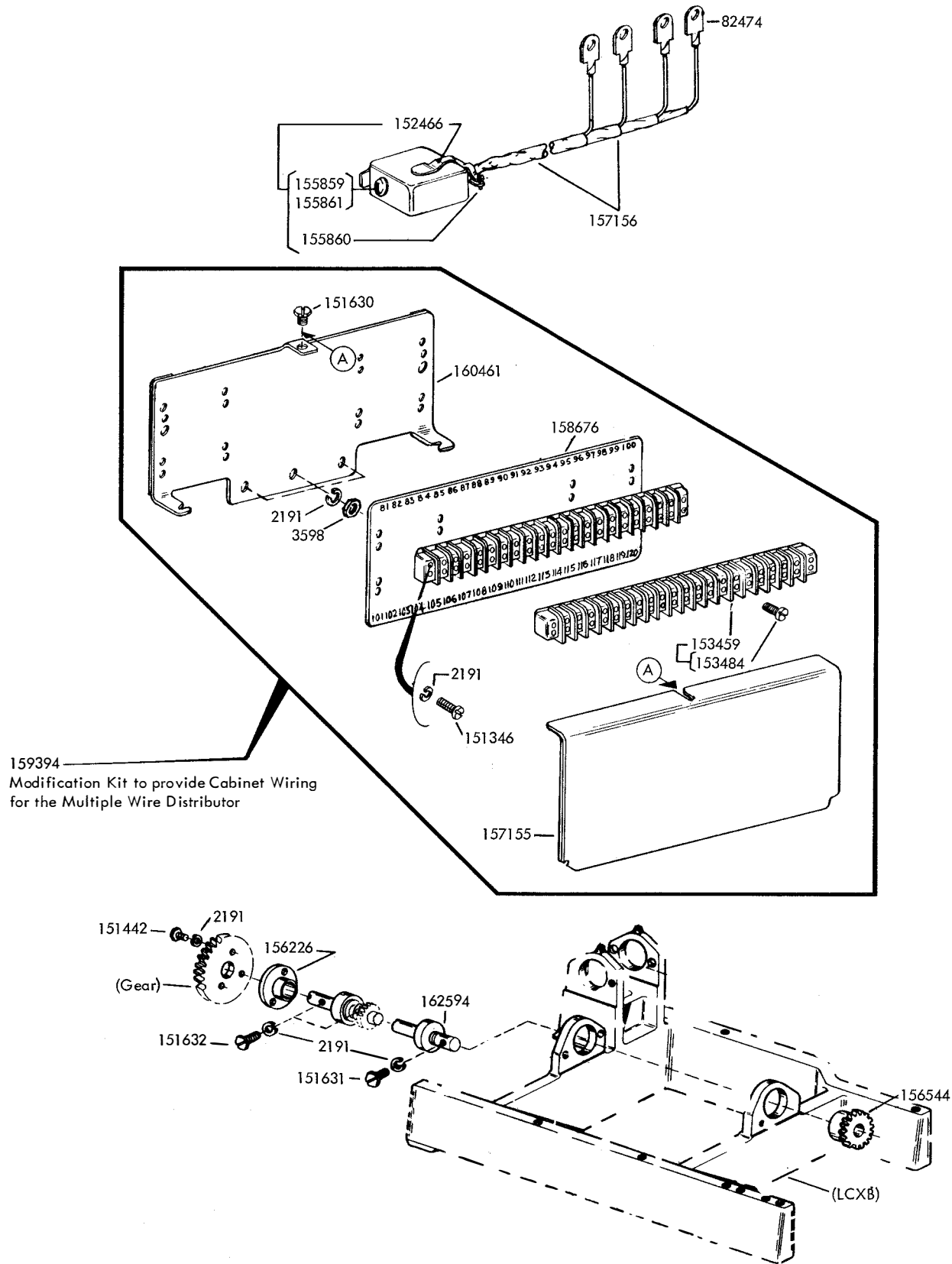


FIGURE 7. 164480 MODIFICATION KIT TO PROVIDE WIRING FOR THE 28 TYPE MULTIPLE WIRE DISTRIBUTOR

NUMERICAL INDEX

Part Number	Description and Page Number	Part Number	Description and Page Number	Part Number	Description and Page Number
177M	Coil, Magnet 4	117541	Washer, Flat 2	153459	Block, Terminal 7, 8
1028	Screw (4-40 x 1/4 Fil) 4	120870	Wick, Felt 3	153484	Screw (6-32 Spl) 7, 8
1172	Screw (2-56 x 5/16 Fil) 4	121243	Clamp, Cable (3/16" ID) 4	153839	Screw (6-40 x 5/8 Hex) 4
2191	Washer, Lock 2, 3, 4, 5, 6, 7, 8	121247	Clamp, Cable (7/16" ID) 7	153921	Modification Kit 5
2438	Washer Flat 4	124512	Washer, Flat 2	155598	Washer, Special 3
2526	Collar, Spacing 4	125231	Nut (10-32 Hex) 2, 5	155751	Sleeve, Insulating (1/8 ID x 1" Lg) 5
2669	Washer, Lock 2, 5, 6	129288	Bearing 3	155859	Screw (4-40 Spl) 7, 8
2846	Washer, Flat 5	129289	Disk 3	155860	Screw (4-40 x 3/8 Rd) 7, 8
3438	Washer, Flat 2, 6	129290	Disk, Adjusting 3	155861	Washer, Lock 7, 8
3598	Nut (6-40 Hex) 3, 4, 5, 7, 8	129291	Cam 3	156226	Hub 8
3606	Nut (6-40 Hex) 4	129297	Shaft 3	156544	Gear (20T) 8
3640	Washer, Lock 4	129300	Bracket 4	157155	Cover 7, 8
4843	Stiffener 4	129301	Bracket, Magnet 4	157156	Cable Assembly 8
4844	Stiffener 4	129302	Bail 4	157165	Gear (35T) 2
7002	Washer, Flat 4, 5, 7	129304	Shaft, Armature Bail 4	157166	Gear (42T) 2
7318	Lever, Contact 4	129305	Shaft, Trip & Latch Lever 4	157167	Gear (60T) 3
7654	Shim (.004") 4	129306	Lever, Latch 4	157170	Camsleeve 3
9558	Spring, Contact 4	129307	Lever, Trip 4	157171	Shaft, Intermediate 2
9559	Spring, Contact 4	129308	Lever, Reset 4	157172	Screw, Shoulder (10-32) 2
9649	Stop, Contact 4	129309	Screw, Shoulder (6-40) 4	157174	Frame, Right 2
9655	Stop, Contact 4	129310	Roller 4	157175	Cable Assembly 2
25123	Screw (1/4-32 x 7/16 Hex) 5	129311	Bushing 4	157178	Strip, Guard 2
31636	Spring 4	129661	Hub 3	157181	Plate, Nut (10-32) 2
42823	Washer, Flat 3	139555	Spring 4	157182	Cable w/Terminals 5
45815	Washer, Lock 2	150001	Drum, Clutch 3	157184	Washer, Felt 2, 3
49084	Spring 4	150029	Wick, Felt 3	157185	Plate, Base 2
60669	Spring 4	150043	Shoe, Secondary Clutch 3	157186	Stud 2
75606	Spring 4	150044	Shoe, Primary Clutch 3	157187	Stud 2
75607	Washer, Flat 4	150241	Spring 3	157188	Camsleeve 3
78453	Nut (10-32 Hex) 2	151126	Spacer (.250") 2	157189	Plate, Top 2
82474	Terminal 7, 8	151152	Screw (4-40 x 3/16 Hex) 4	157190	Bracket 5
86720	Post, Spring 4	151222	Washer, Felt 4	157195	Stud 2, 5
86835	Spring 2, 6	151346	Screw (6-40 x 3/8 Fil) 7, 8	157196	Latch, Right 5
89881	Wick, Felt 2	151442	Screw (6-40 x 1/2 Hex) 8	157197	Latch, Left 5
89896	Oiler 2	151618	Screw (6-40 x 7/16 Fil) 5	158310	Cable, Assembly 7
89897	Nut (10-32 Hex) 2	151626	Terminal 2, 5	158676	Insulator, Terminal (81-120) 8
92265	Screw (2-56 x 1/8 Rd) 2, 5	151630	Screw (6-40 x 1/4 Hex) 2, 4, 7, 8	159346	Insulator (81-120) 7
93118	Washer, Lock 2	151631	Screw (6-40 x 5/16 Hex) 2, 4, 7, 8	159361	Modification Kit 7
93356	Washer, Flat 4	151632	Screw (6-40 x 3/8 Hex) 2, 6, 8	159394	Modification Kit 8
93463	Armature 4	151657	Screw (6-40 x 1/4 Fil) 3	159670	Stud 5
95430	Spring, Compression 4	151658	Screw (6-40 x 5/16 Fil) 2, 6	160461	Bracket 7, 8
97540	Shaft 4	151659	Screw (6-40 x 1/2 Fil) 3	161347	Washer, Felt 4
97542	Yoke, Magnet 4	151687	Screw (4-40 x 7/16 Fil) 3	162594	Shaft 8
98361	Shim (.005") 3	151692	Screw (6-40 x 3/16 Fil) 2	162595	Gear (59T) 6
101591	Wick, Felt 2	151693	Screw (6-40 x 9/16 Fil) 2	162596	Gear (36T) 3
110743	Washer, Lock 3	151722	Screw (6-40 x 3/16 Hex) 2, 4, 6	162597	Plate, Base 6
112541	Bracket, Contact 4	151723	Screw (10-32 x 3/8 Hex) 5	162598	Bracket, Mounting 6
112542	Bushing 4	151728	Spring 3	162848	Washer, Flat 2
112543	Plate, Contact Cover 4	151737	Screw (4-40 x 11/64 Hex) 3	163427	Bracket 7
112544	Screw (2-56 x 3/4 Flat) 4	151819	Jumper (3" Black) 2	163428	Bracket, Assembly 7
112545	Insulator 4	151955	Guide, Cable 5	164480	Modification Kit 8
112546	Insulator (.094") 4	152460	Bracket 2, 6	173142	Modification Kit 5
112547	Stiffener, Short 4	152462	Latch, Right 2, 6	173155	Bracket 5
112548	Stiffener, Long 4	152463	Latch, Left 2, 6	173165	Stud, Mounting 5
112627	Nut (2-56 Hex) 4	152464	Insulator (.062") 6	173358	Modification Kit 7
113243	Collar, Spacing 4	152466	Connector, Receptacle (20) 7, 8		
115221	Washer, Felt 4	153442	Screw (10-32 x 1/2 Hex) 6		
115407	Post 2				
115615	Screw (6-40 x 5/8 Fil) 3				



111
112
113