

28 TRANSMITTER OR TRANSMITTER-DISTRIBUTOR COVER (LXDC) AND 28 TABLE (LT)

PARTS

FIGURE	CONTENTS	PAGE
1	Covers	2
2	173375** Cover Assembly	3
3	Cover for Multiple Mounted Units	4
4	Table	5
	Numerical Index	6

NOTE:

When ordering parts from this section, prefix each number with the letters TP.

PAINT FINISH COLOR CODE CHART (for parts and assemblies requiring a paint finish)																
Color	Finish Suffixes				Color	Finish Suffixes										
	Wrinkle Finish	Smooth Finish	Textured Vinyl	Smooth Vinyl		Wrinkle Finish	Smooth Finish	Textured Vinyl	Smooth Vinyl							
Beige	AA (37)	ET		HC	Gray, Federal	AB (40)	BV	GG	HB (68)							
Beige, Light		EL			Gray, Green		BK	GA (45)		HE						
Beige, Rose		ER			Gray, Light		EJ	HF (46)								
Black		BA (34)			Gray, Covert		EW				GE					
Black, High Gloss					BB							Gray, Olive				
Black, Semi Gloss					EK							Gray, Maritime Deck	AJ	BJ		
Blue, Aqua					EC							Gray, Oxford	AB (40)	EP		
Blue, Brussels Light					ES							Green, Gray		BK	GA (45)	
Blue, Medium					AD (38)							GC		Green, Moss	EN	HD
Brown, Dark														AC (39)	HG	
Brown, Light	HA		Pink, Rose	EU												
Fawn			GF	Turquoise		EV										
Gray, Beige				GB		White		EH								
Gray, Charcoal		AL				Yellow, Pastel	EG									
Gray, Dark																

The double asterisk (**) denotes a painted part. Suffix to be applied following the part number. Number in parenthesis indicates Bell System code

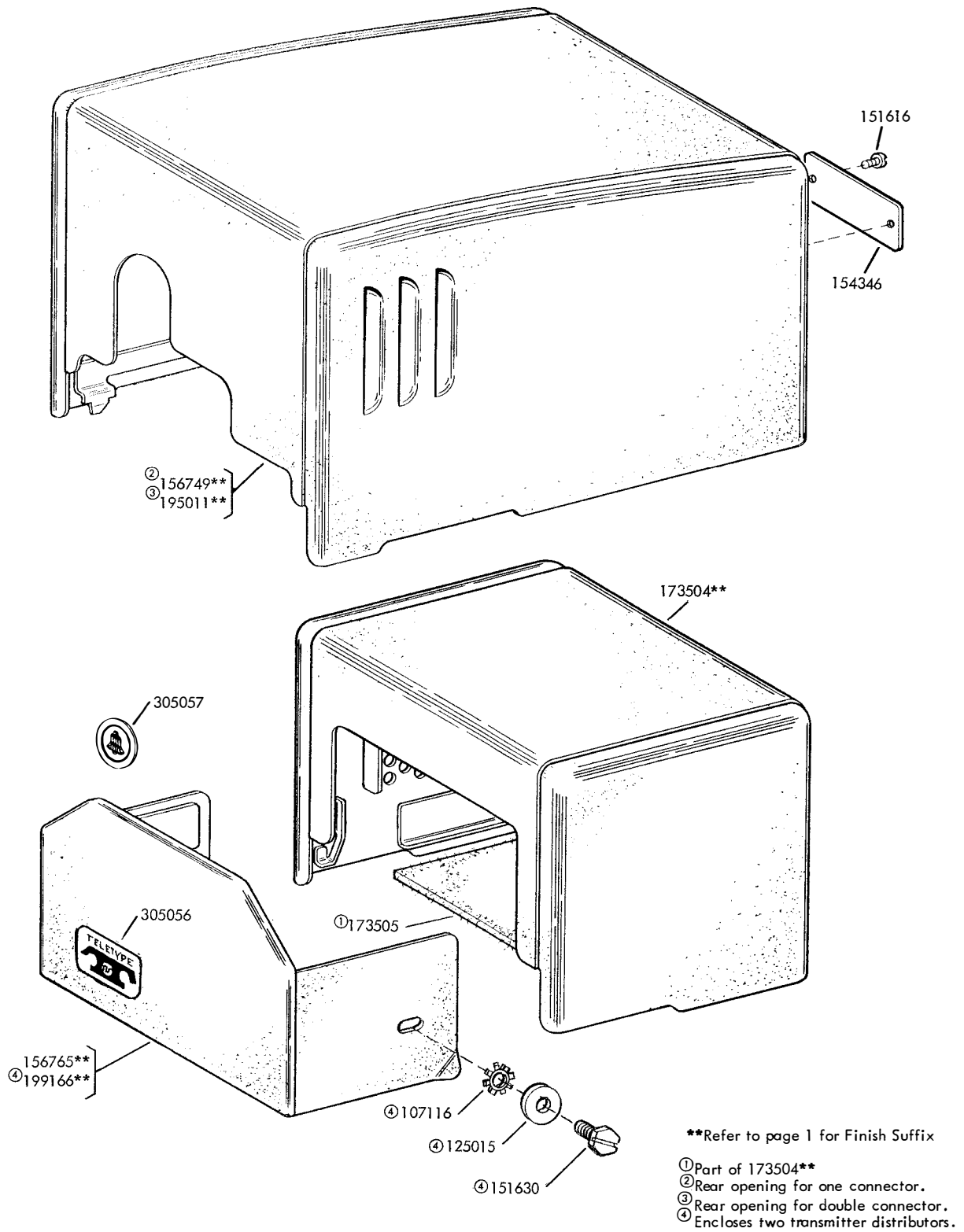
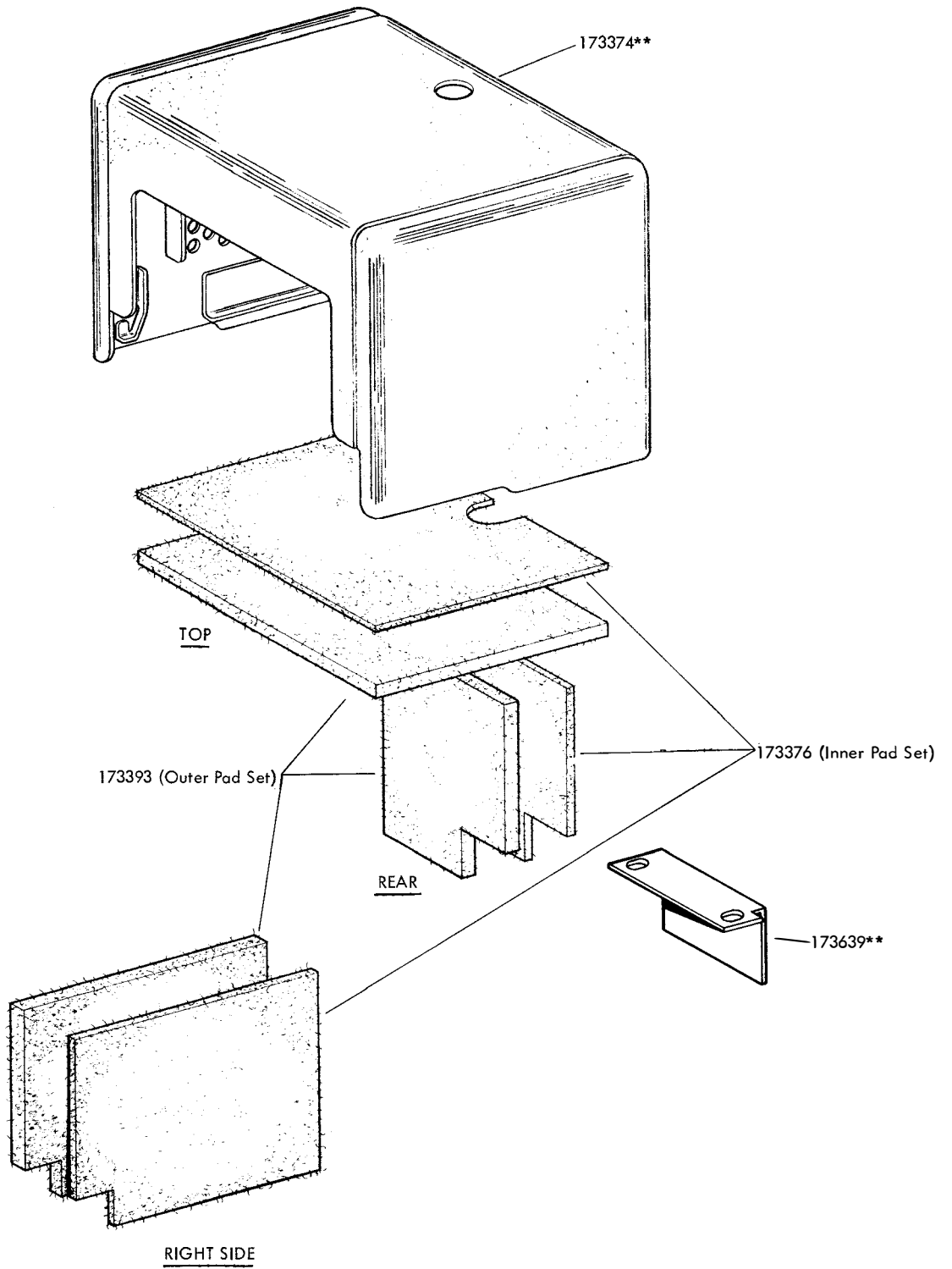


FIGURE 1. COVERS



**Refer to page 1 for Finish Suffix

FIGURE 2. 173375** COVER ASSEMBLY

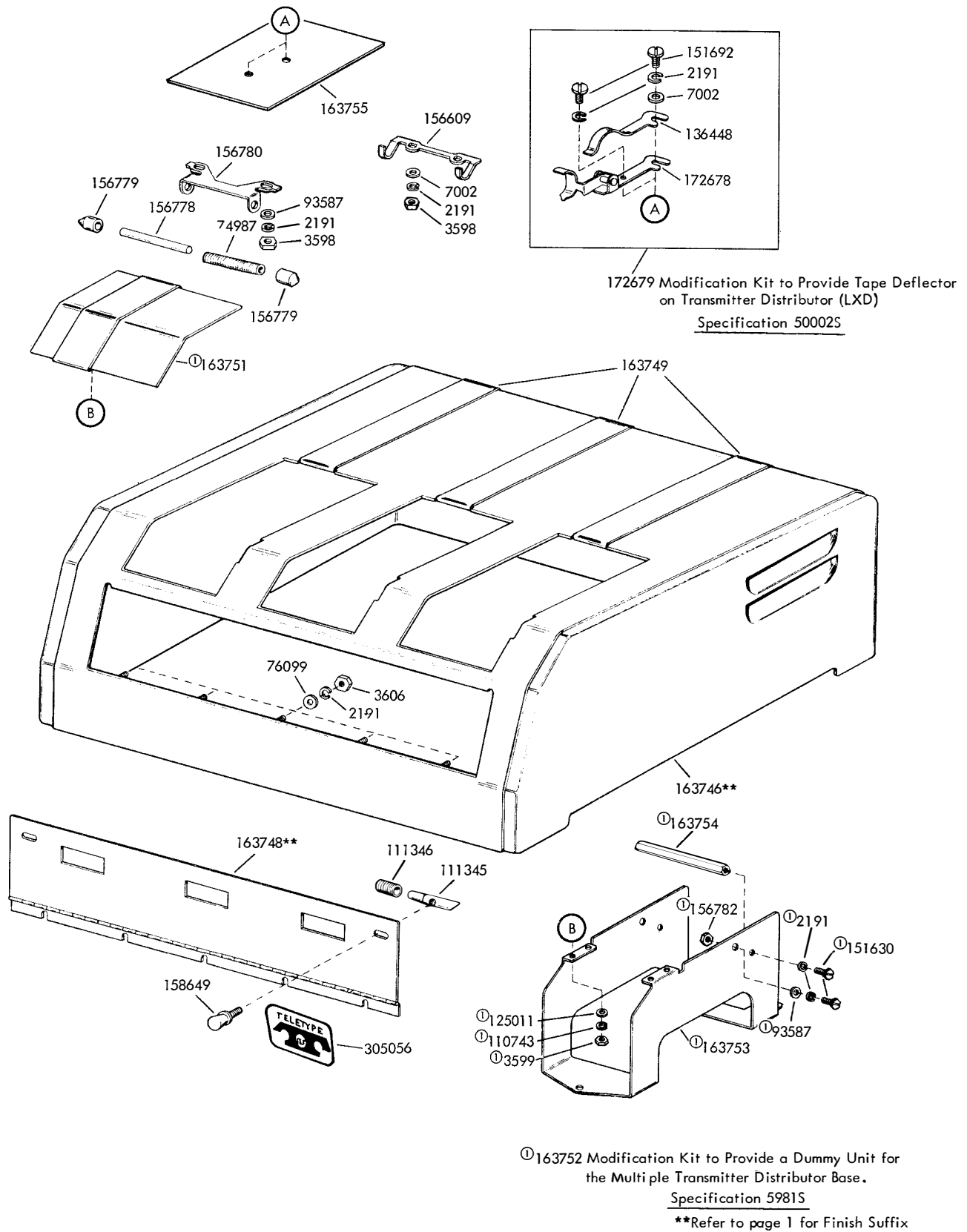
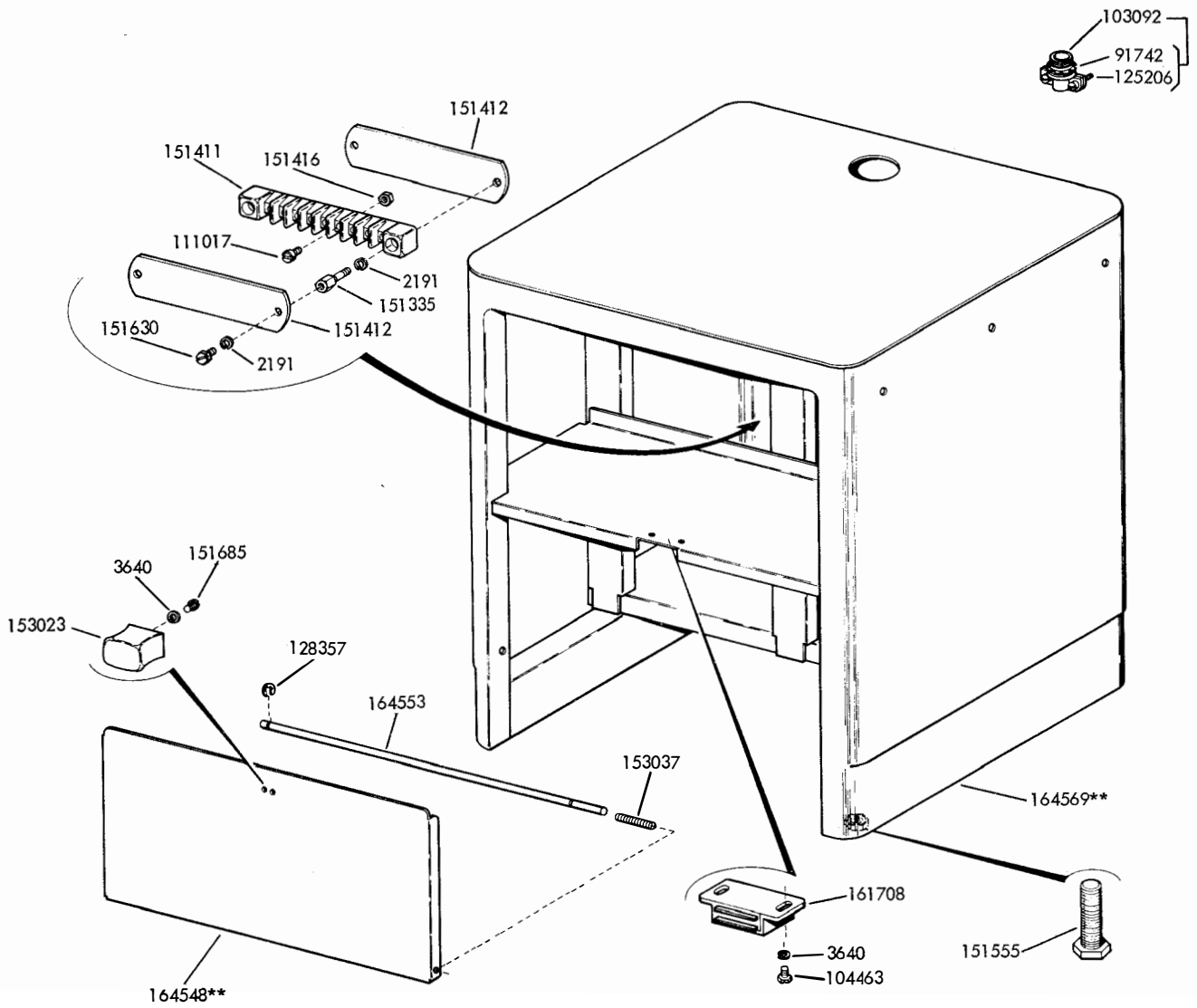


FIGURE 3. COVER FOR MULTIPLE MOUNTED UNITS



**Refer to page 1 for Finish Suffix

FIGURE 4. TABLE

NUMERICAL INDEX (Continued)

Part Number	Description and Page Number	Part Number	Description and Page Number	Part Number	Description and Page Number
2191	Washer, Lock 4,5	151411	Block Terminal 5	163751	Plate, Dummy 4
3598	Nut (6-40 Hex) 4	151412	Insulator, (1-9) Terminal 5	163752	Modification Kit 4
3599	Nut (4-40 Hex) 4	151416	Nut (6-40 Hex) 5	163753	Bracket, Dummy 4
3606	Nut (6-40 Hex) 4	151555	Foot, Mounting 5	163754	Post 4
3640	Washer, Lock 5	151616	Screw, Self-Tapping (#2) 2	163755	Plate w/Studs 4
7002	Washer, Flat 4	151630	Screw (6-40 x 1/4 Hex) 2,4,5	164548**	Panel 5
74987	Spring, Compression 4	151685	Screw (4-40 x 5/16 Fil) 5	164553	Shaft 5
76099	Washer, Flat 4	151692	Screw (6-40 x 3/16 Fil) 4	164569**	Table 5
91742	Nut, Lock 5	153023	Handle 5	172678	Deflector, Tape 4
93587	Washer, Flat 4	153037	Spring 5	172679	Modification Kit 4
103092	Connector, Cord 5	154346	Plate, Instruction 2	173374**	Cover 3
104463	Screw (4-40 x 1/4 Hex) 5	156609	Plate, Spring 4	173375**	Cover Assembly 3
107116	Washer, Lock 2	156749**	Cover w/Brackets 2	173376	Set of Pads 3
110743	Washer, Lock 4	156765**	Panel, Snap 2	173393	Set of Pads 3
111017	Screw (6-40 x 5/16 Fil) 5	156778	Rod 4	173504**	Cover w/Pad 2
111345	Bolt 4	156779	Plunger 4	173505	Pad, Cover 2
111346	Spring, Compression 4	156780	Bracket, Detent 4	173639**	Plate, Cover 3
125011	Washer, Flat 4	156782	Nut, Special (6-40 Hex) 4	195011**	Cover w/Bracket 2
125015	Washer, Flat 2	158649	Screw, Thumb (4-40) 4	199166**	Panel 2
125206	Screw (6-32 x 5/8 Fil) 5	161708	Latch, Magnetic 5	305056	Plate, Identification 2,4
128357	Ring, Retaining 5	163746**	Cover w/Studs 4	305057	Plate, Identification 2
136448	Spring, Flat 4	163748**	Panel w/Bracket 4		
151335	Stud 5	163749	Strip, Cover 4		

**Refer to Page 1 for Finish Suffix