

INSTRUCTIONS FOR INSTALLING THE
327102 MODIFICATION KIT TO PROVIDE
IMPROVED PARTS FOR THE LPW300 PAPER WINDER

1. GENERAL

1.01 The 327102 modification kit provides the LPW300 paper winder with improved parts which eliminate loosening and breaking of the bearing drive post.

Note: All LPW300 paper winders coming from the factory at this time have these improved parts.

1.02 The 327102 modification kit consists of:

1	327100	Bearing
1	327101	Post

2. INSTALLATION

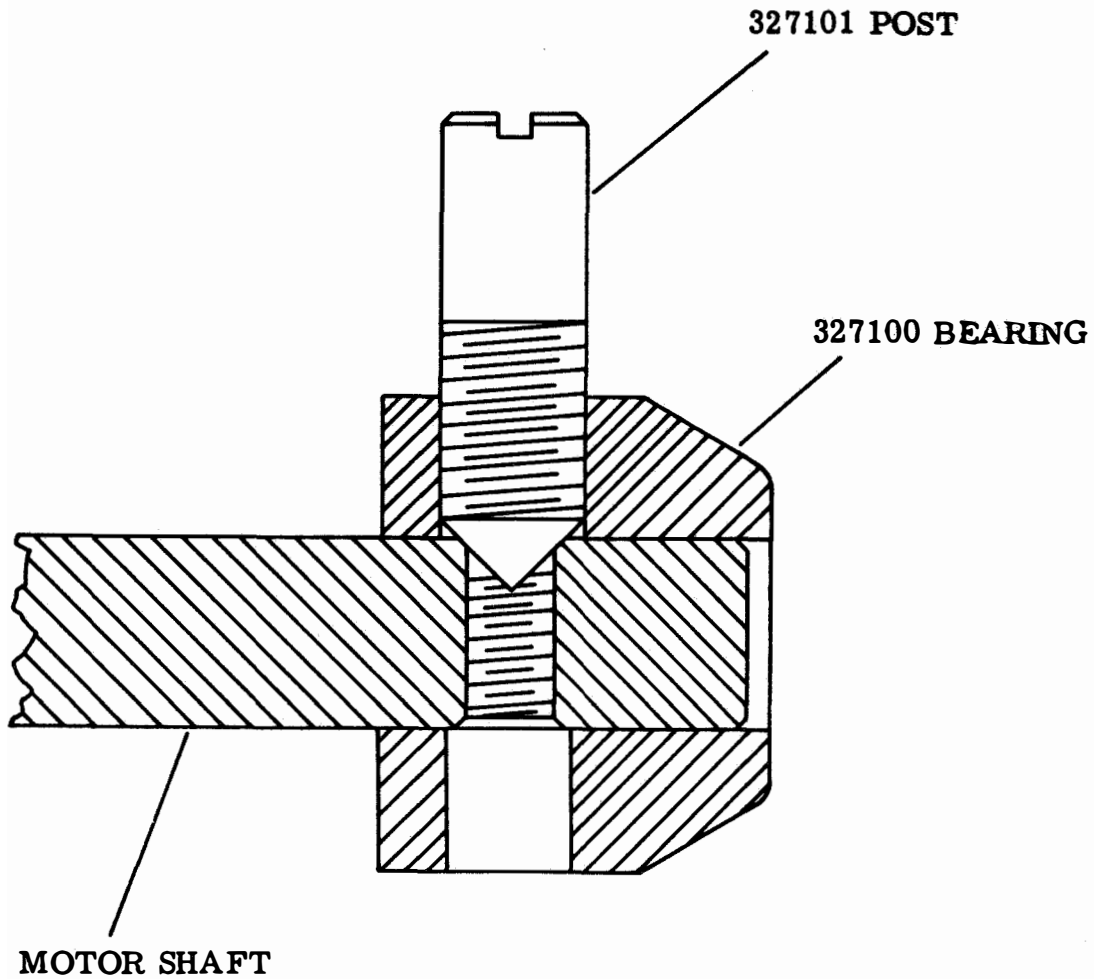
2.01 Remove the paper spindle assembly from the LPW300 paper winder.

2.02 Remove the 305678 bearing drive post and 305679 spindle bearing from the motor shaft and discard.

2.03 Install the 327100 bearing on the motor shaft with the 327101 post.

CAUTION: THE 327101 POST SHOULD BE POSITIONED SO THAT THE TAPERED POINT OF THE POST IS DRIVEN INTO THE TAPPED HOLE AND NOT ON THE OUTSIDE DIAMETER OF THE MOTOR SHAFT. REFER TO FIGURE 1.

SPECIFICATION 50608S



NOTE: POINT OF POST TO SEAT IN TAPPED HOLE OF MOTOR SHAFT

FIGURE 1