

ADDENDUM TO SPECIFICATION 50209S COVERING THE
195921 AND 195922 ASSEMBLIES

a. On Page 2, after Paragraph 1. a. (6) add the following new paragraph:

(7) Secure the 311455 gear guard to the base with (1) 151690 screw, (1) 3639 lockwasher, and (1) 3438 flat washer using the 10-32 hole that is slightly behind and to the left of the intermediate gear assembly.

b. On Page 3, after Paragraph 3. b. (2) add the following new paragraph:

(1) The gear guard of the 195921 modification kit must be approximately parallel to the main mounting bracket of the paper winder and be in contact with the mounting frame of the printer motor.

(2) To adjust, loosen the screw securing the gear guard to the base and move the gear guard so that it is in contact with the mounting frame of the printer motor and approximately parallel to the main mounting bracket of the paper winder. Tighten the screw.



INSTRUCTIONS FOR INSTALLING THE 195921 AND 195922
ASSEMBLIES TO EQUIP MODEL 28 LBAC** CABINETS WITH A
PAPER WINDER

1. GENERAL

- a. The 195921 and 195922 parts assemblies provide Model 28 LBAC** Cabinets with means to rewind the paper coming from the printer.
- b. The assemblies rewind paper from 4-1/4 inch wide to 8-1/2 inches and rewind 400 feet of .0034 to .0043 inch thick paper.
- c. The paper does not have to be folded or squared on the leading edge to be inserted into the spindle of the assemblies.
- d. The 195921 parts assembly provides paper winding facilities for the upper and middle shelf of the LBAC** Cabinet.
- e. The 195922 parts assembly provides paper winding facilities for the bottom shelf of the LBAC** Cabinet when an LK or LB Base is used.
- f. The two asterisks (**) indicate a two letter suffix (Bell System two digit) to indicate the paint finish.
- g. The 195921 and 195922 part assemblies come assembled from the factory. Certain parts necessary for mounting the assemblies are to be found in a muslin bag tied to the winder bracket.
- h. For parts ordering information see Teletype Model 28 Bulletin 1149B.

2. INSTALLATION (See attached figures)

- a. Installation of the 195921 parts assembly on the top or middle shelf of a Model 28 LBAC** Cabinet.
 - (1) Remove the 179164 mounting bracket plus components from the 146149 base plate. See Figure 4.
 - (2) Remount the following parts from the 179164 mounting bracket on the 195930 winder bracket. See Figures 1 and 4.

7	2191	Lockwasher	1	152461	Bracket
1	7001	Washer, Flat	1	152462	Latch, Right
2	7002	Washer, Flat	1	152463	Latch, Left
1	86835	Spring	2	152464	Insulator
6	111017	Screw	1	152467	Connector Plug
1	151335	Stud	1	154127	Nut
6	151416	Nut	1	158250	Terminal Block
2	151658	Screw	2	158252	Insulator
1	151721	Screw			
3	151722	Screw			

NOTE

If the 179164 mounting bracket contains the Bell Assembly and transformer, transfer these parts to the paper winder bracket as shown in Figure 1.

(3) Assemble the 195921 paper winder assembly to the 146149 base plate using two 153442 screws, three 151723 screws, five 45815 lockwashers, five 111516 washers, and two 121245 cable clamps provided. See Figure 2 for location of parts.

(4) Position the 195921 paper winder assembly (left or right) so that the paper as it comes off the printer platen lines up with the flanges of the paper winder spindle.

NOTE

It is important that the center line (horizontal plane - front to back) of the paper winder spindle be parallel with the centerline of the printer platen. This is to minimize the paper from going from side to side on the spindle as it is rewound. See Figure 5.

(5) Connect the three leads of the 195935 cable assembly to the terminal block in accordance with Wiring Diagram 6363WD.

(6) When installing the 195921 parts assembly on the top shelf of the LBAC** Cabinet, it may be necessary to remove some of the noise suppressing material to allow the paper winder to turn freely.

b. Installation of the 195922 parts assembly on the bottom shelf of a Model 28 LBAC** Cabinet.

(1) Assemble the 195922 paper winder assembly to the cabinet rails using four 153442 screws, eight 111516 flat washers, four 122987 spacers, four 45815 lockwashers, and four 125231 nuts. See Figure 4.

(2) Position the 195922 as given in Paragraph 2.a.(4).

(3) Connect the three leads of the 195935 cable assembly and the two leads of the 310342 cable assembly to the terminal block in accordance with Wiring Diagram 6363WD.

3. ADJUSTMENTS AND LUBRICATION

a. For standard adjustments and lubrication see Teletype Model 28 Bulletin 217B.

b. Mercury Switch Adjustment (See Figure 6).

(1) The glass enclosed leads of the switch must be in a horizontal plane and parallel with the paper slack mounting end bail when the slack bail mounting end is horizontal with the base plate. The mercury switch must start motor rotating when the lower edge of the paper slack bail is parallel with the base plate or 1/2" above the paper slack bail back stop.

(2) To adjust, loosen the mercury switch mounting screw and position switch.

* * *

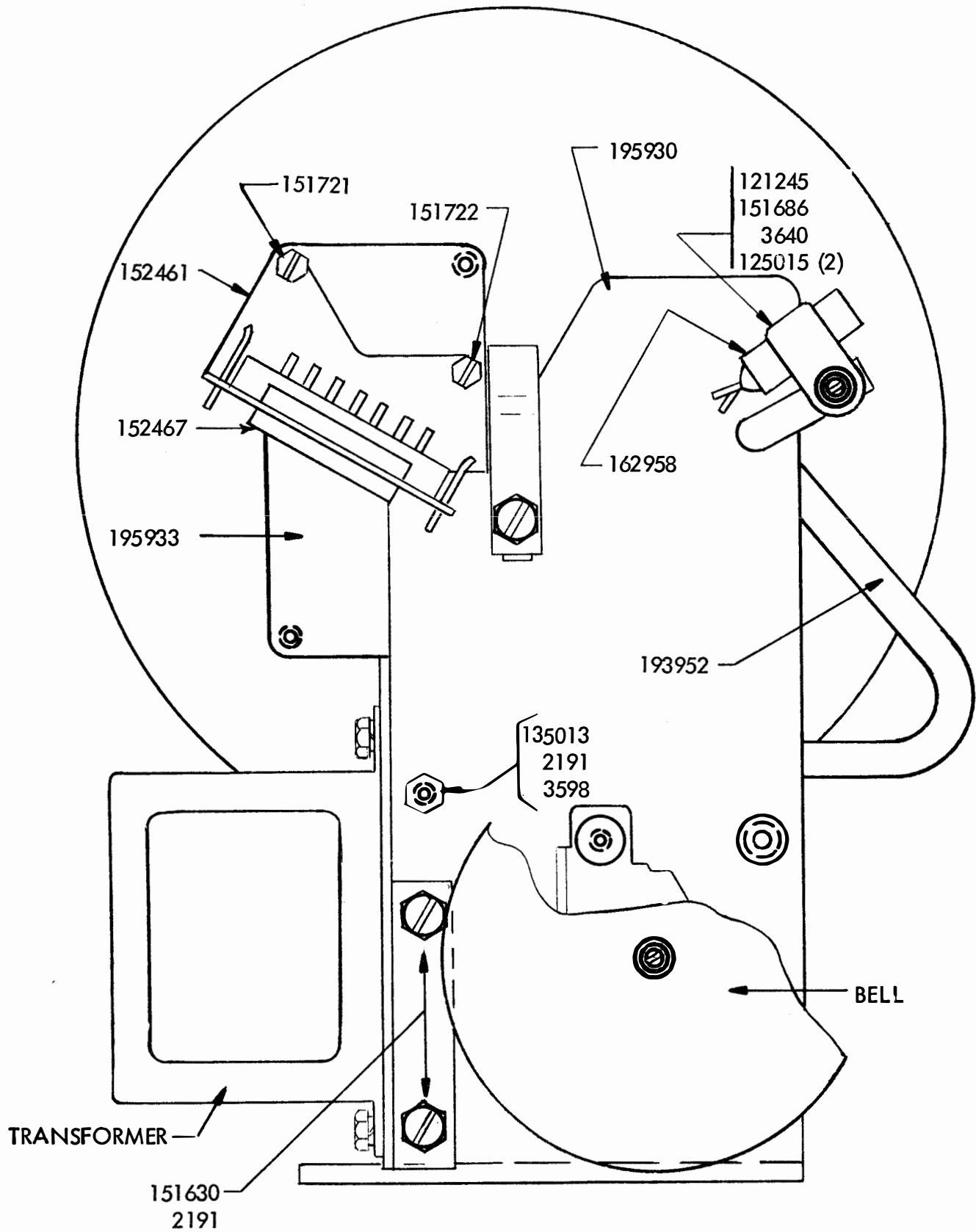


FIGURE 1. 195921 & 195922 PAPER WINDER ASSEMBLY

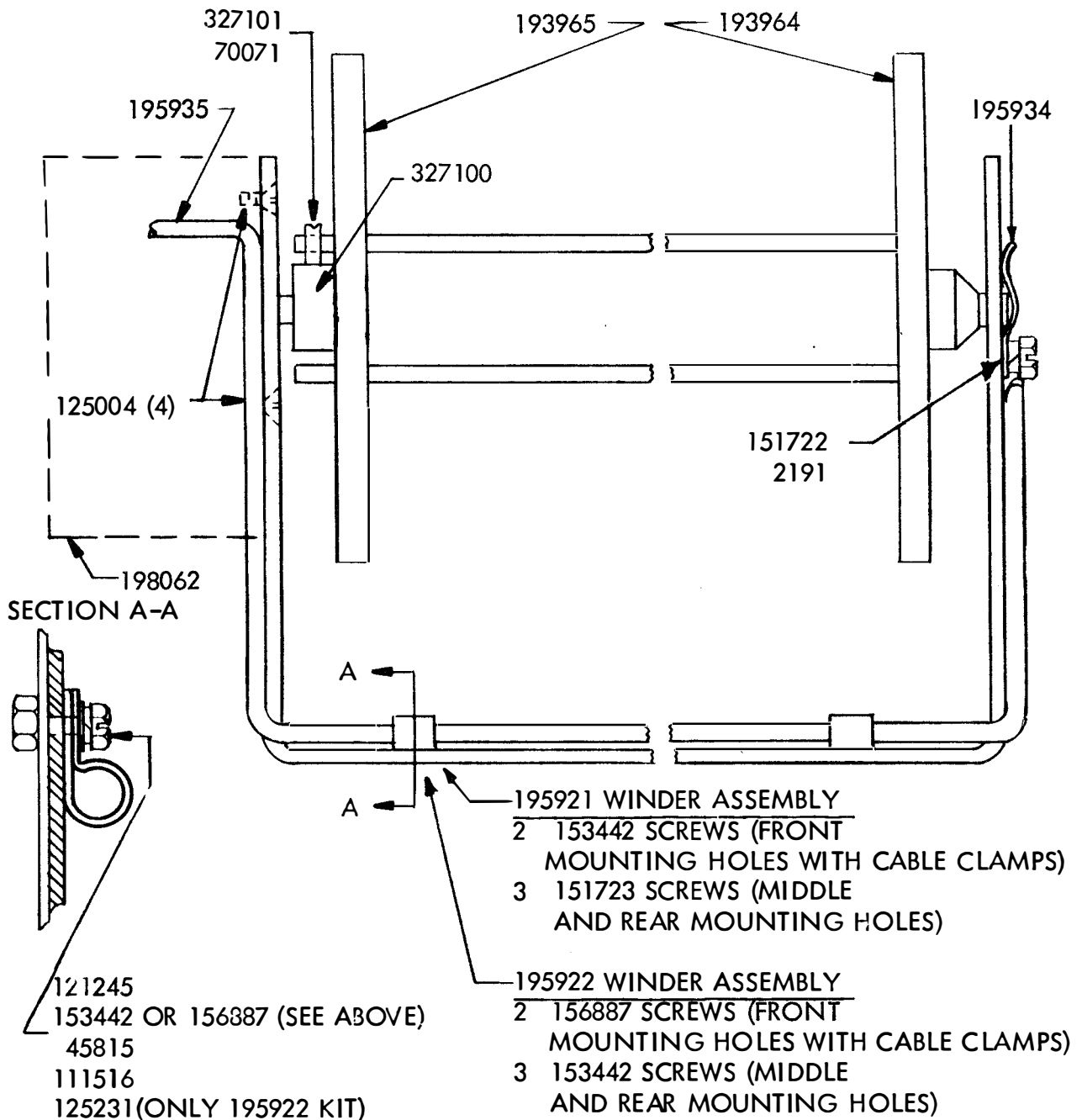


FIGURE 2. MOUNTING OF PAPER WINDER ASSEMBLY

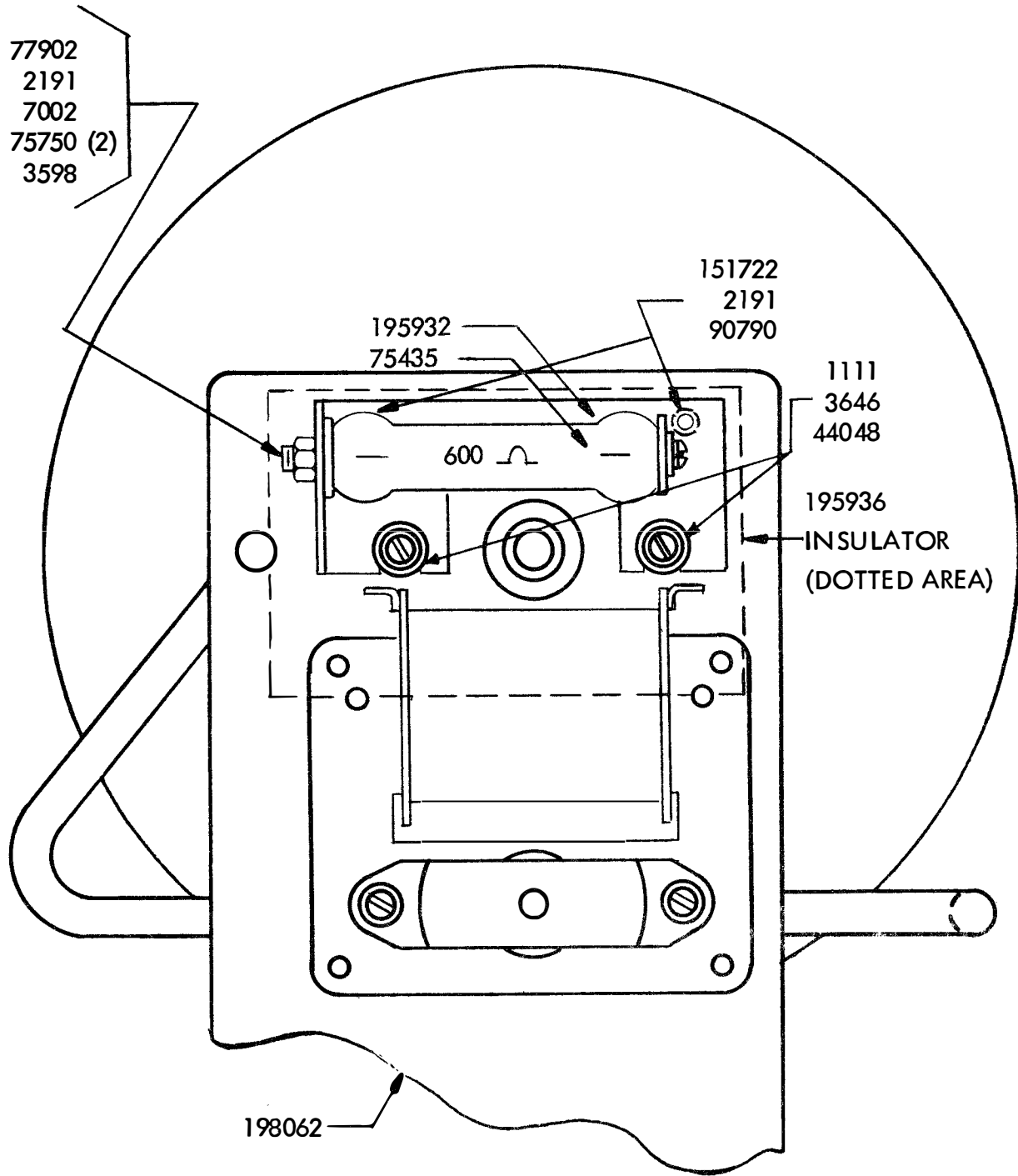


FIGURE 3. MOUNTING OF THE 75435 RESISTOR

50209S

6-111017 SCREWS &
151416 NUTS ARE USED HERE.

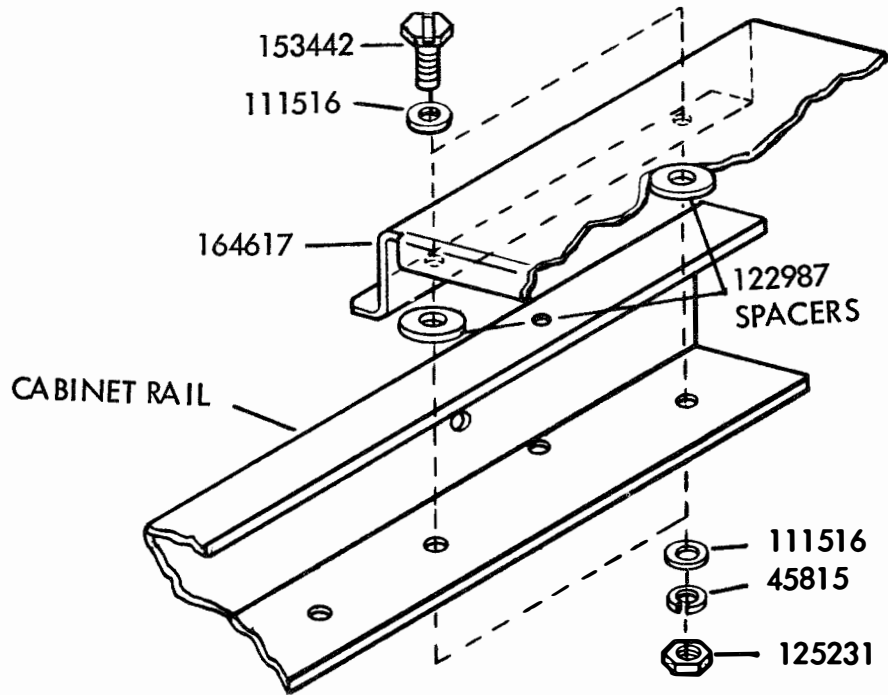
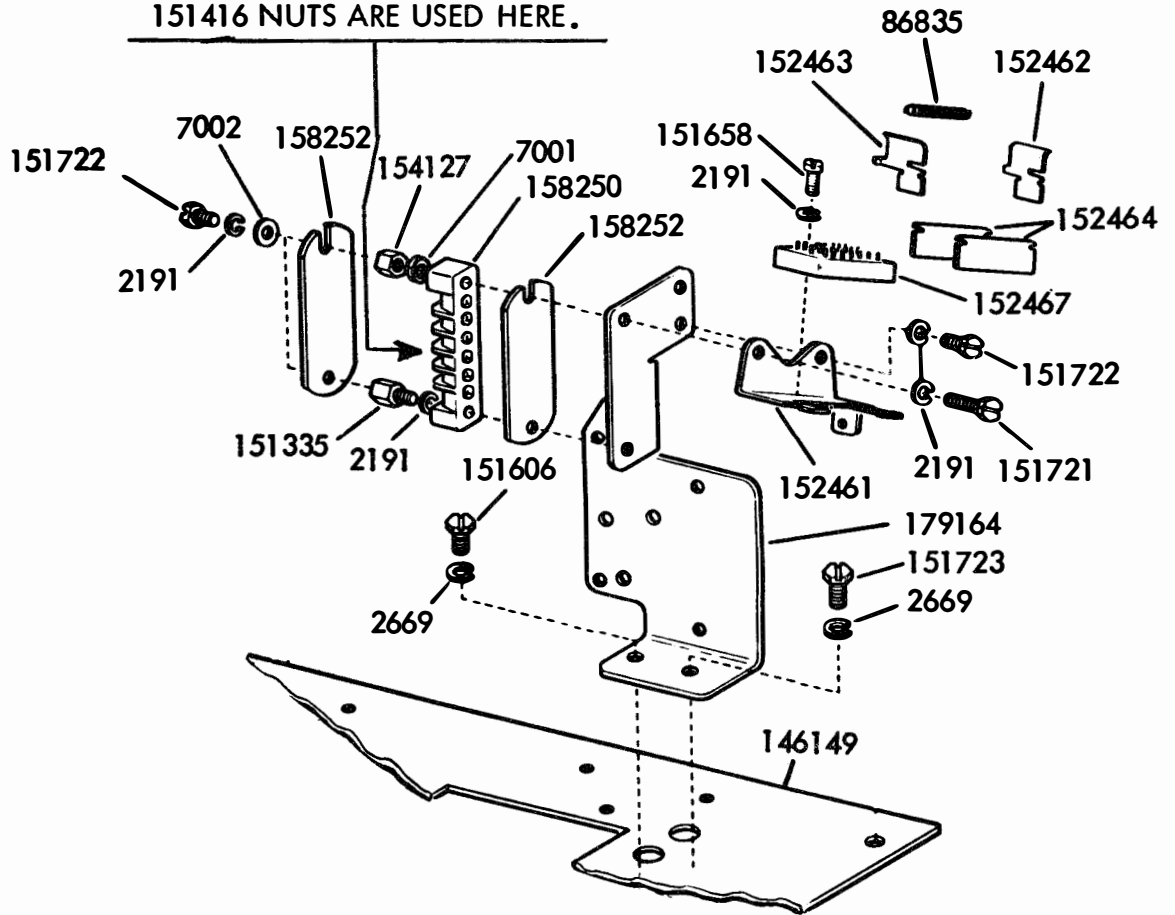


FIGURE 4.

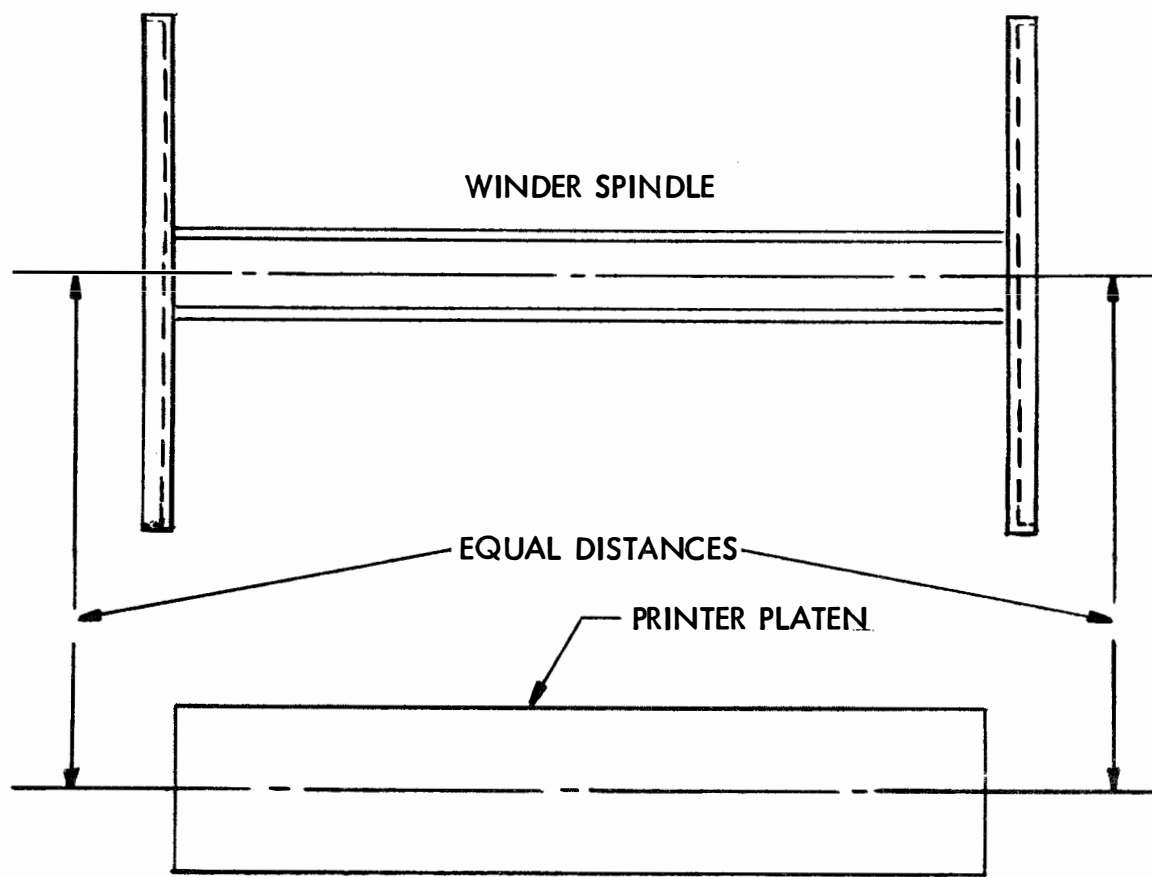


FIGURE 5. WINDER SPINDLE ALIGNMENT

50209S

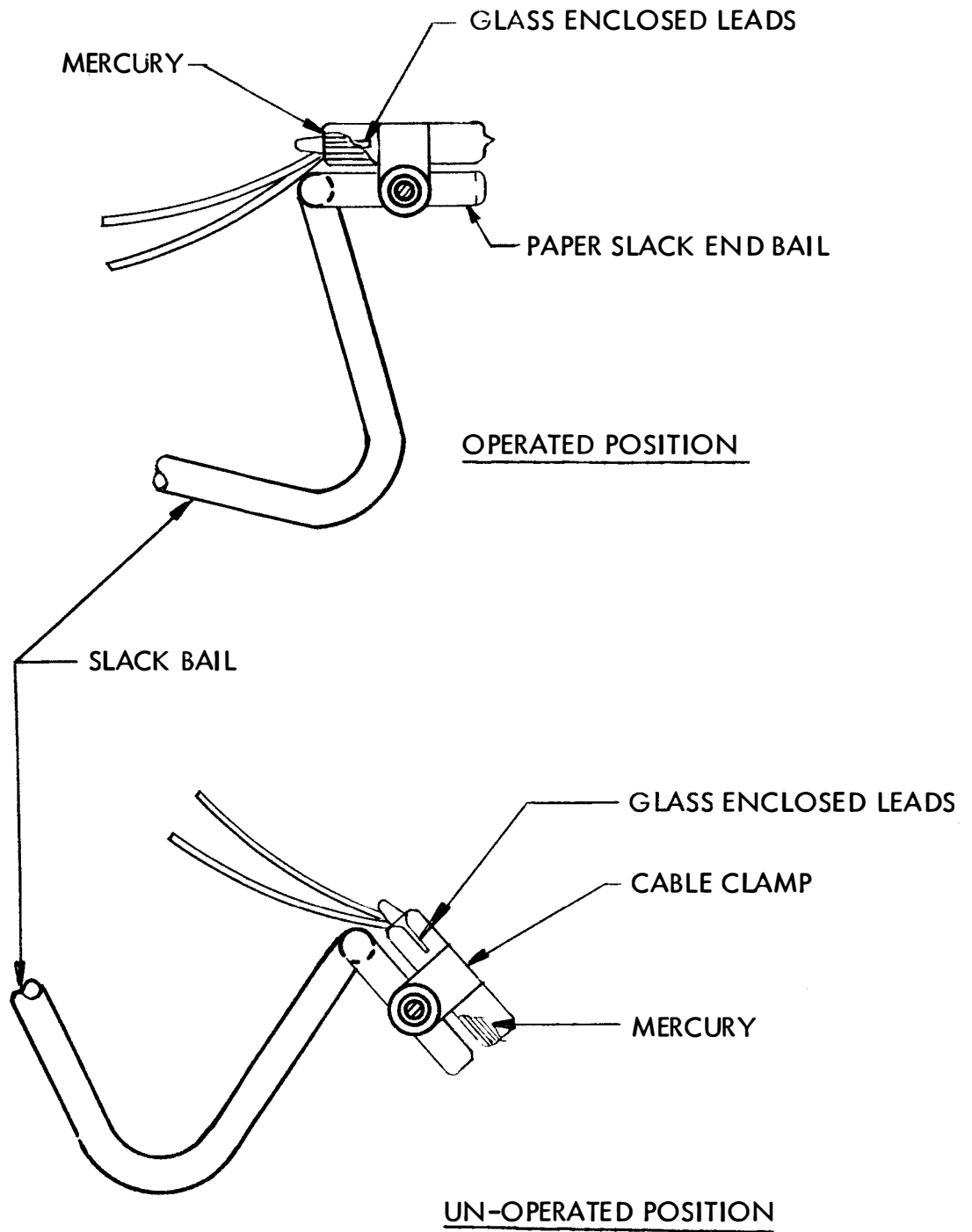


FIGURE 6. MERCURY SWITCH ADJUSTMENT

